

# MODEL #01386

## Flex Station (30" x 60")

### DESIGN:

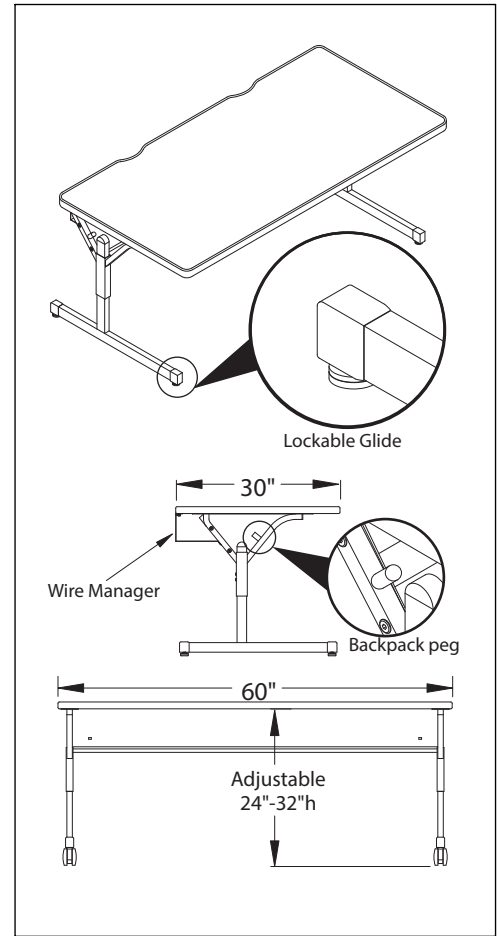
The Flex Station table is truly flexible, with an oversized top that provides for today's project learning environments.

### MATERIALS:

The 1 1/4" thick work surface consists of a 45 lb. density particle board core with a .030" high pressure laminated surface and a .020" melamine backer sheet. The edge of the work surface features 3/8" bumper edge that is mechanically fastened every 6 to 8 inches to assure a long lasting fit. The top is pre-drilled for ease of installation.

The frame is attached to the pre-drilled holes in the top with (12) #10 x 3/4" screws through a 3" x 18" l 14 gauge steel mounting plate. The mounting plate is welded to (2) 1" square 16 gauge steel Y-shaped tubes which is welded to a 1 1/4" x 2" 14 gauge vertical leg support. The legs adjust in height from 24" to 32" in 1" increments. The adjustment for each leg is secured with (2) 3 3/4" -16 x .675" Allen screws. All open ends on the 16 gauge tubing will be capped with color matched plastic end caps. The bases have a color matched lockable end cap/glide combination that resists tampering. The right and left leg both include Smith System patented backpack peg allowing for either inside or outside positioning. The 18-gauge steel wire management tray mounts under the work surface and hinges off the 10" h 16-gauge steel modesty panel. Cables drop through the work surface cut outs. Both the frame and legs will have a powder coat finish. With optional 3 or 4 inch casters.

### PRODUCT SPECIFICATIONS:

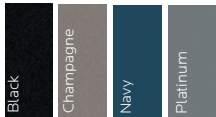


### DIMENSIONS & FREIGHT:

| Model                                           | Description                            | D" | W" | H"    | F.C. | Cube | Wt. | UPS |
|-------------------------------------------------|----------------------------------------|----|----|-------|------|------|-----|-----|
| 30" Deep Flex Station w/ Tilt Down Wire Manager |                                        |    |    |       |      |      |     |     |
| 01386                                           | Flex Station w/ Tilt Down Wire Manager | 30 | 60 | 24-32 | 70   | 7.5  | 106 |     |
|                                                 | Carton Dimensions                      | 34 | 63 | 7     |      |      |     |     |

### AVAILABLE COLORS:

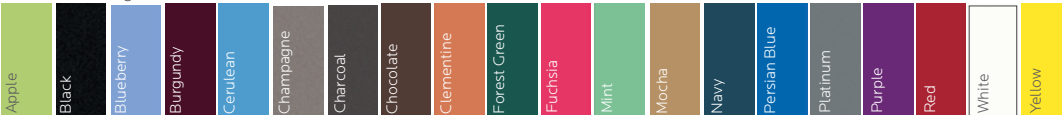
Flex Station  
Frame Color Choice



Flex Station Laminate Color Choice



Flex Station Edge Color Choice



**Flex Stations Have Top and Edge Choices**

**1 1/4" Tops**

**CHOICE 1**

**CHOICE 3**

**CHOICE 1** - 1 1/4" top with Bumper T-Mold  
no letter to follow Model No.

**CHOICE 3** - 1 1/4" top with 4mm T-Mold  
**D** to follow Model No.