

MODEL #01590

Flex 3-Student Half Circle Center

DESIGN:

Flexline Circle Centers fit neatly against walls or pair to create full-circle work stations. A center cutout allows for neat wire management and keeps cords out of the way. The cutout is cut to fit the Smith System I-O Post Model 17090. Optional riser shelves increase workspace area by making room for computer peripherals and student materials.

MATERIALS:

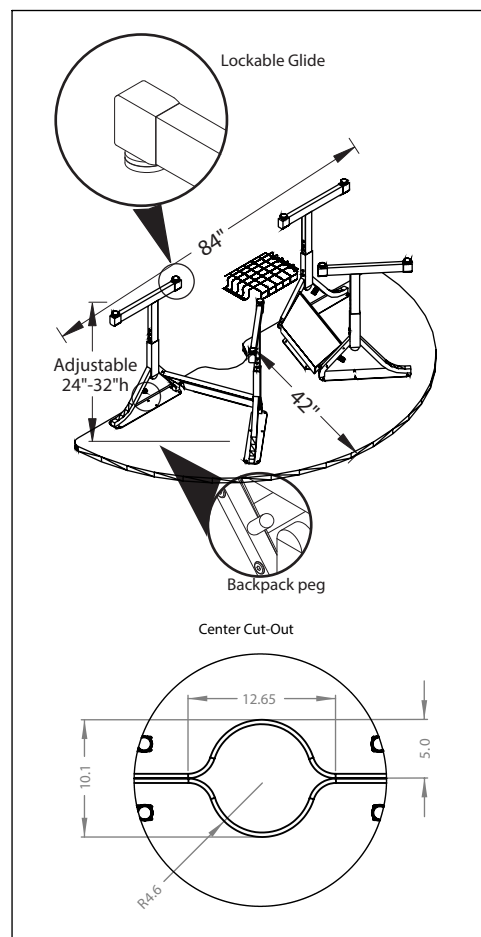
The 1 1/4" thick work surface consists of a 45 lb. density particle board core with a .030" high pressure laminated surface and a .020" melamine backer sheet. The edge of the work surface features 3/8" bumper edge that is mechanically fastened every 6 to 8 inches to assure a long lasting fit. The top is pre-drilled for ease of installation.

The frame is attached to the pre-drilled holes in the top with (12) #10 x 3/4" screws through a 3 1/8" w x 22" l 14 gauge steel mounting plate. The mounting plate is welded to (2) 1" square 16 gauge steel Y-shaped tubes which is welded to a 1 1/4" x 2" 14 gauge vertical leg support. The legs adjust in height from 24" to 32" in 1" increments. The adjustment for each leg is secured with (2) 3 3/4" -16 x .675" Allen screws. All open ends on the 16 gauge tubing will be capped with color matched plastic end caps. The bases have a color matched lockable end cap/glide combination that resists tampering. The right and left leg both include Smith System patented backpack peg allowing for either inside or outside positioning. The 18-gauge steel wire management tray mounts under the work surface and hinges off the 10"h 16-gauge steel modesty panel. Cables drop through the work surface cut outs. Both the frame and legs will have a powder coat finish. With optional 3 or 4 inch casters. Also included is a cable basket tray in order to keep wiring and cables organized.

DIMENSIONS & FREIGHT:

Model	Description	D"	W"	H"	F.C.	Cube	Wt.	UPS
01590	Flex Three-Student Half Circle Center	42	84	24-32	70	12.0	136	
11501	Riser Shelf for Three-Student Half Circle	30	60	12-22	70	2.6	80	

PRODUCT SPECIFICATIONS:

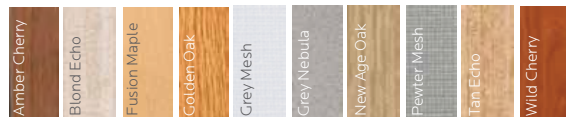


AVAILABLE COLORS:

Flex Station
Frame Color Choice



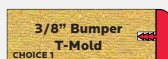
Flex Station Laminate Color Choice



Flex Station Edge Color Choice



1 1/4" Tops



CHOICE 1



CHOICE 3

Flex Stations Have Top and Edge Choices

CHOICE 1 - 1 1/4" top with Bumper T-Mold
no letter to follow Model No.

CHOICE 3 - 1 1/4" top with 4mm T-Mold
D to follow Model No.



WWW.SMITHSYSTEM.COM

