

MODEL #03082

Interchange Diamond Desk

DESIGN:

Our Interchange Diamond Desk offers ample leg-to-leg space while functioning as a collaborative workspace for each student. The Diamond Desk in a group of 3 creates a half-circle, while a group of 6 creates a full circle collaborative workspace.

MATERIALS:

The work surface consists of a 45 lb density particle board core with a 0.030" high pressure laminated surface and a 0.020" backer sheet. The edge of the work surface features T-mold that is stapled to the underside of the work surface every 6"-8". The frame consists of two fully welded segments. Ellipse shaped tubes measure 1.5" x 2.5". 16-gauge leg inserts and leg stems are welded to 14-gauge plates. The back leg includes the Smith System patented backpack peg which allows for the student to store their backpack under the desk and eliminate clutter. The pre-drilled top is standard at 1 1/4" thick and available in optional 3/4" thickness. Laminate and T-mold color and style options are listed below. Top is predrilled to attach legs using included fasteners. Legs include a 1" adjustable leveling glide with a locking stop to provide stability on uneven floors.

DIMENSIONS & FREIGHT: Product is NOT UPSable.

Model	Description	D"	W"	H"	F.C.	Cube	Wt.	UPS
03082	Diamond Student Desk	30	34	22-34	70	2.7	49	
	03082 Carton Dimensions	36 1/2	31	1 1/2				

Interchange Diamond Desks Have Top and Edge Choices

1 1/4" Tops

3/8" Bumper T-Mold
CHOICE 1

4mm T-Mold
CHOICE 3

3/4" Tops

4mm T-Mold
CHOICE 5

Bullet T-Mold
CHOICE 6

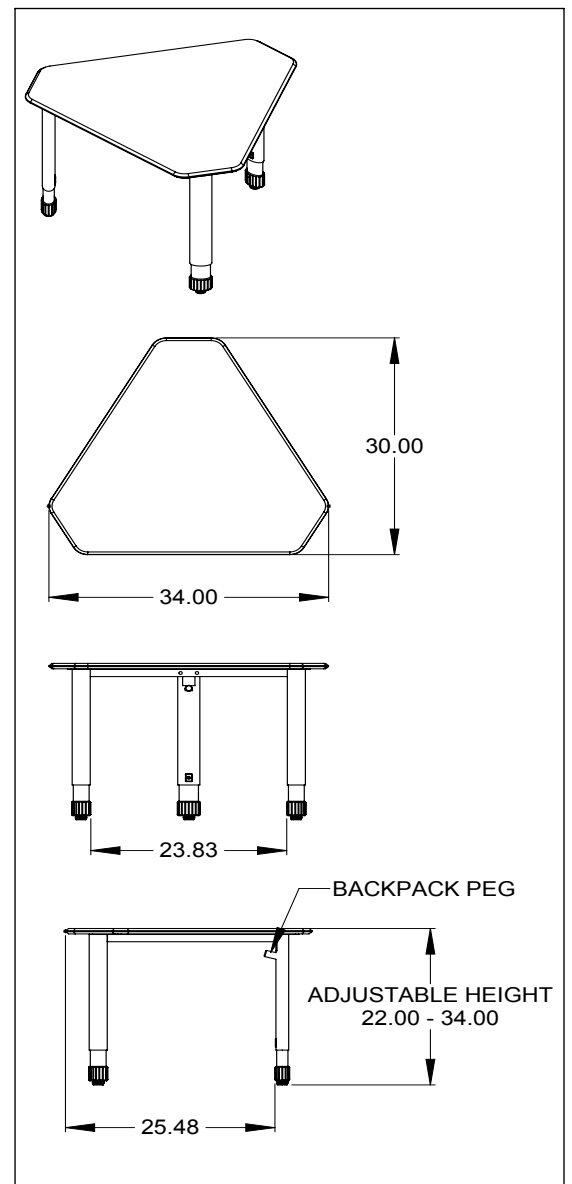
CHOICE 1 - 1 1/4" top with Bumper T-Mold
no letter to follow Model No.

CHOICE 3 - 1 1/4" top with 4mm T-Mold
D to follow Model No.

CHOICE 5 - 3/4" top with 4mm T-Mold
C to follow Model No.

CHOICE 6 - 3/4" top with Bullet T-Mold
V to follow Model No.

PRODUCT SPECIFICATIONS:

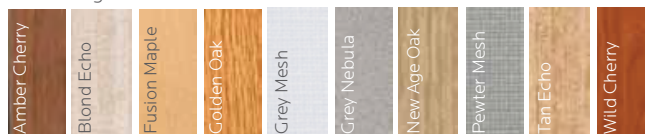


AVAILABLE COLORS:

Interchange Desk
Frame Color Choice



Interchange Desk Laminate Color Choice



Interchange Desk Edge Color Choice

