

MODEL #04350

30x60 Trapezoid Husky Activity Table

DESIGN:

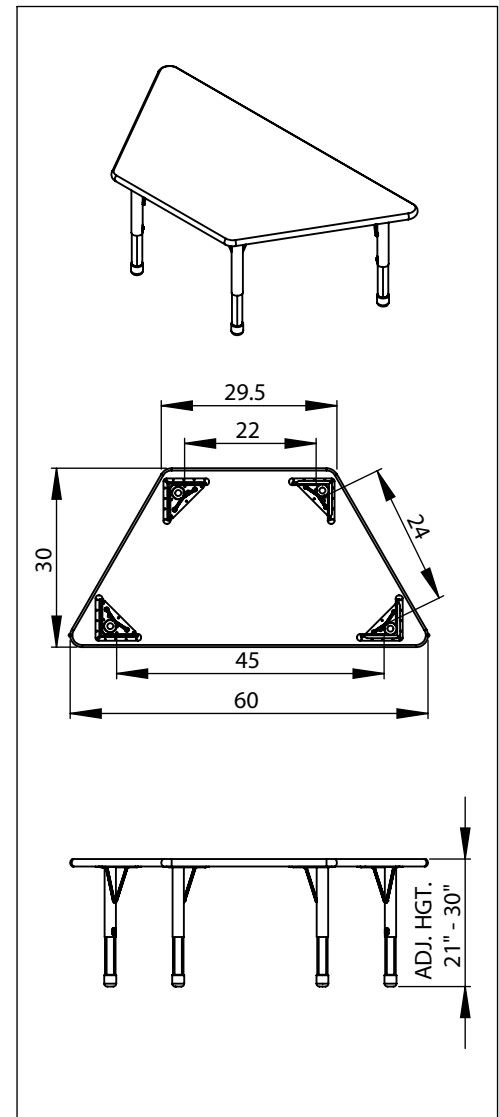
With their adjustable-height work surface and specially designed glides, Husky Activity Tables are ideal for elementary and high school environments.

MATERIALS:

The work surface consists of a 45 lb density particle board core with a 0.030" high pressure laminated surface and a 0.020" backer sheet. The edge of the work surface features T-mold that is stapled to the underside of the work surface every 6 - 8". The upper leg is made of 17-gauge, 1 3/4" diameter steel tube that is protected with a durable powder coat finish that matches the color of the nylon cap. Choose from eight colors that will bring excitement to the classroom. The 1/4" V-shaped support brace is welded to the top leg and 16-gauge mounting plate, which adds stability and strength. The easy-on brackets are mounted to the desktop for easy assembly, requiring only one screw per leg for secure assembly.

The chrome plated lower leg is made out of a 13-gauge 1 1/2" diameter tube to resist scuffing and is complimented by a durable nylon cap matching the powder coat finish. The telescoping tube leg adjusts in 1" increments. The glide is a sock type that slides over the outside of the leg. This glide is made of glass-filled nylon that assures durability. The glide resists rust, stains, and scratches.

PRODUCT SPECIFICATIONS:



DIMENSIONS & FREIGHT: Product is NOT UPSable

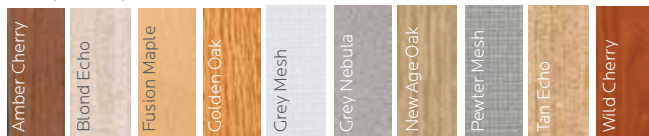
Model	Description	D"	W"	H"	F.C.	Cube	Wt.
04350	30x60 Trap Husky Activity Table	30	60	21-30	70		61 lbs.
	04350 Carton #1 Dimensions	62.5	30	3.125			
	04350 Carton #2 Dimensions	21	8	8			

AVAILABLE COLORS:

Husky Activity Table
Leg Color Choice



Husky Activity Table Laminate Color Choice



Husky Activity Table Edge Color Choice

