

MODEL #24000 & 24001

Planner Teacher Desk

Single Pedestal

PRODUCT SPECIFICATIONS:

DESIGN:

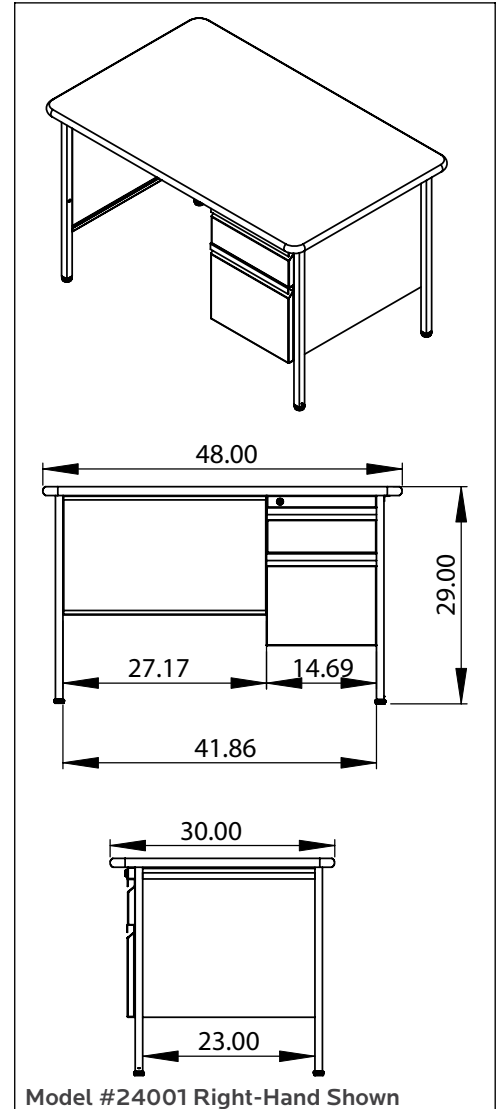
The Single Ped Planner Teacher desk is our most robust and durable product yet. It's packaging is compacy, assembly is painless and the durability and integrity are ideal features of a teacher suite product.

MATERIALS:

The 1 1/4" thick work surface consists of a 45 lb. density particle board core with a .030" high-pressure laminated surface and a .020" melamine backer sheet. The edge of the work surface features a bumper edge molding (choices listed below) that is mechanically fastened every 6 to 8 inches to assure a long lasting fit.

The Teacher Desk has a suspended file drawer pedestal with all welded steel construction. Box and file have full extension steel ball bearing slides for complete access and quiet operation. Pedestal has single lock and full width flush pulls for easy use. File drawers have full height sides for hanging files.

The post leg end pairs are fully welded. Each pair is constructed of 1" x 2" 14-gauge cross support tube welded to 1"-square 14-gauge corner legs. Leg ends attach to drawer pedestal housings for rigidity. 1" adjustable leveling glides provide stability on uneven floors. Steel components have tough powder coat finish.

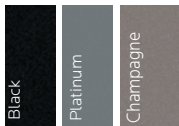


DIMENSIONS & FREIGHT: Product is NOT UPSable

Model	Description	D"	W"	H"	F.C.	Cube	Wt.	UPS
Planner Teacher Desk - Single Pedestal								
24000	Planner Teacher Desk, LEFT HAND	30	48	29	70		130	
24001	Planner Teacher Desk, RIGHT HAND	30	48	29	70		130	
	Leg set and Modesty Panel (Box #1)							
	Top w/ Plate Pre-Attached (Box #2)							
	Drawer Ped Assembled (Box #3)							
Optional Accessories								
17342	Center Drawer	16	23	2.25	70	0.5	5	✓
17353	Flat Panel Monitor Mount/Swivel	7	6	20	70	1.1	11	✓
00471	Dual Surface Desktop Lectern	19	19	6	70	1.3	25	✓
17620	Keyboard Tray	17	25	6	70	1.3	20	✓

AVAILABLE COLORS:

Planner Teacher Desk
Frame Color Choice



Planner Teacher Desk Laminate Color Choice



Planner Teacher Desk Edge Color Choice



1 1/4" Tops

Planner Teacher Desks Have Top and Edge Choices

3/8" Bumper T-Mold
CHOICE 1

3mm Edge
CHOICE 2

4mm T-Mold
CHOICE 3

CHOICE 1 - 1 1/4" top with Bumper T-Mold no letter to follow Model No.

CHOICE 2 - 1 1/4" top with 3mm Edge
F to follow Model No. Rectangle only.

CHOICE 3 - 1 1/4" top with 4mm T-Mold
D to follow Model No.