

MODEL #26668 & 26669

Circulation Desk - Rectangle

DESIGN:

Our Circulation Desks offer elementary school students a comfortable height for checking out and returning books. While offering the library staff a wide range of functionality.

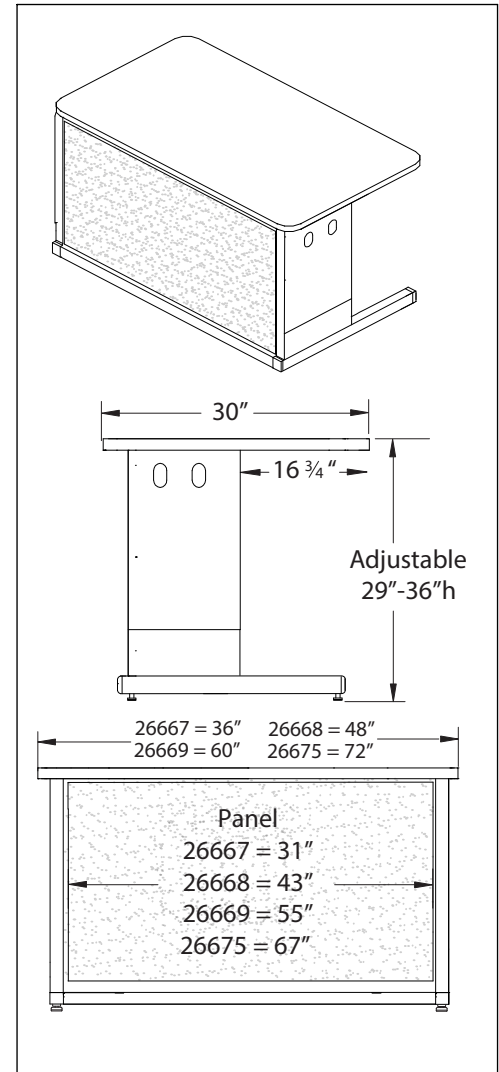
MATERIALS:

The 1 1/4" thick work surface consists of a 45 lb density particle board core with a .030" high pressure laminated surface and a .020" melamine backer sheet. The edge of the work surface features 3/8" bumper edge molding that is fastened every 6 to 8 inches to assure a long lasting fit. The top is pre-drilled for ease of installation. The telescoping leg allows height adjustment from 29 1/2" to 36 1/2". 1 5/8" x 10"d double wall panel legs of 12-, 14- and 18-gauge steel with rounded edges. Cable ports in upper leg for networking station to station and in lower leg for routing to floor. Base is 16 gauge steel tube 1 3/4" x 2" with nylon edge caps to protect feet. Legs have 1" adjusting leveling glides. The Modesty Panel consists of 3/4" 45 lb density particle board core with a matching pattern .030" high pressure laminated front and back. The edge of the panel is finished with .020 PVC edge band.

DIMENSIONS & FREIGHT: Product is NOT UPSable.

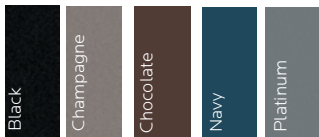
Model	Description	D"	W"	H"	F.C.	Cube	Wt.	UPS
Acrobat Circulation Desk - Rectangle								
26667	Rectangle Circulation Desk	30	36	29-36	70		128	
	26667 Carton Dimensions	33	40	4	70			
26668	Rectangle Circulation Desk	30	48	29-36	70		137	
	26668 Carton Dimensions	33	52	4	70			
26669	Rectangle Circulation Desk	30	60	29-36	70		155	
	26669 Carton Dimensions	33	64	4	70			
26675	Rectangle Circulation Desk	30	72	29-36	70		188	
	26675 Carton Dimensions	33	76	4	70			
17345	Book Drop Slot - Factory installed option							

PRODUCT SPECIFICATIONS:

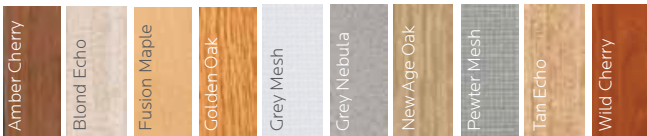


AVAILABLE COLORS:

Circulation Desk
Frame Color Choice



Circulation Desk Laminate Color Choice



Circulation Desk Edge Color Choice



1 1/4" Tops

Acrobot Circulation Desks Have Top and Edge Choices

CHOICE 1 - 1 1/4" top with Bumper T-Mold
no letter to follow Model No.

CHOICE 2 - 1 1/4" top with 3mm Edge
F to follow Model No. Rectangle only.

CHOICE 3 - 1 1/4" top with 4mm T-Mold
D to follow Model No.