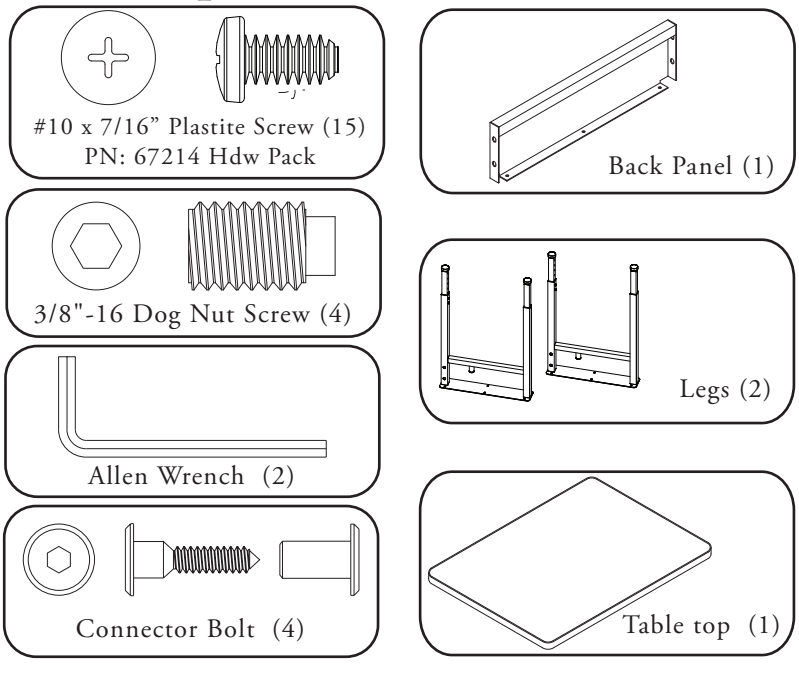


Hard Plastic Planner Student Desk Quick Installation Guide

Required for Installation



Instructions

- Step 1 Loosely attach legs and modesty panel with connector bolts. (finger tight)
- Step 2 Flip table over on a smooth, clean surface with the bottom facing up.
- Step 3 Align frame assembly with pilot holes in top and use supplied #10 plastite screws to loosely attach frame assembly.
- Step 4 Using supplied Allen Wrench go back and tighten connector bolts.
- Step 5 Tighten #10 plastite screws into table. Adjust table to desired height using supplied Allen Wrench. Carefully flip the desk over, desk is now ready to be used.

MODELS
01291 & 01273

