



SMITH SYSTEM

Furniture for inspired learning.

Diamond Desk Installation Instructions



SMITH SYSTEM



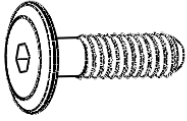
Children & Schools

GREENGUARD[®]
Indoor Air Quality Certified

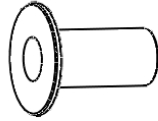
For Assistance in assembling product, missing or damaged parts, or to place an order, please contact customer service at 800-328-1061.

You may also place your order online at

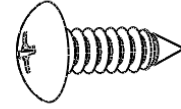
Components and Hardware



Connector Bolt 1/4-20 X 23mm
P/N: 70867
QTY: 2



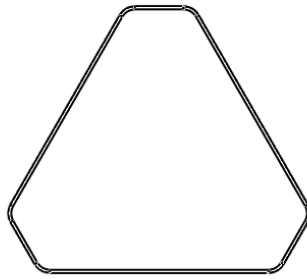
Connector Nut 1/4-20 x 17mm
P/N: 70869
QTY: 2



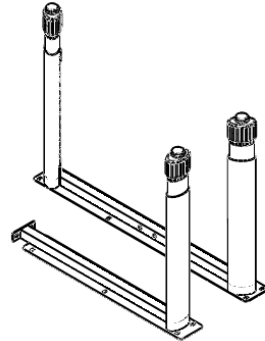
#10 x 5/8" Wood Screw
P/N: 70080
QTY: 14



Hex Key Allen Wrench 3/16"
P/N: 77813
QTY: 1



Diamond Top
QTY: 1



SS Leg and Center Leg Weldment
QTY: 1 each

Replacement Hardware Pack:

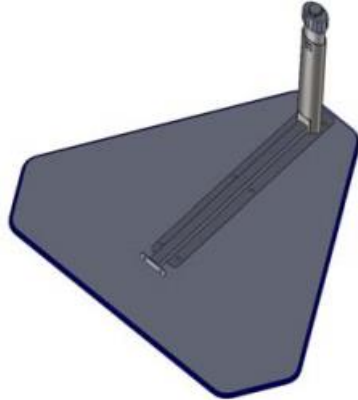
1. 69761 BLA/ZINC-R
 - a. (2) 70867 – Connector Bolt 1/4-20x23mm
 - b. (2) 70869 – Connector Nut 1/4-20x17mm
 - c. (14) 70080 - #10x5/8 Truss Head Phillips Head
 - d. (1) 77813 – Hex Key Allen Wrench 3/16"

For Assistance in assembling product, missing or damaged parts, or to place an order, please contact customer service at 800-328-1061.

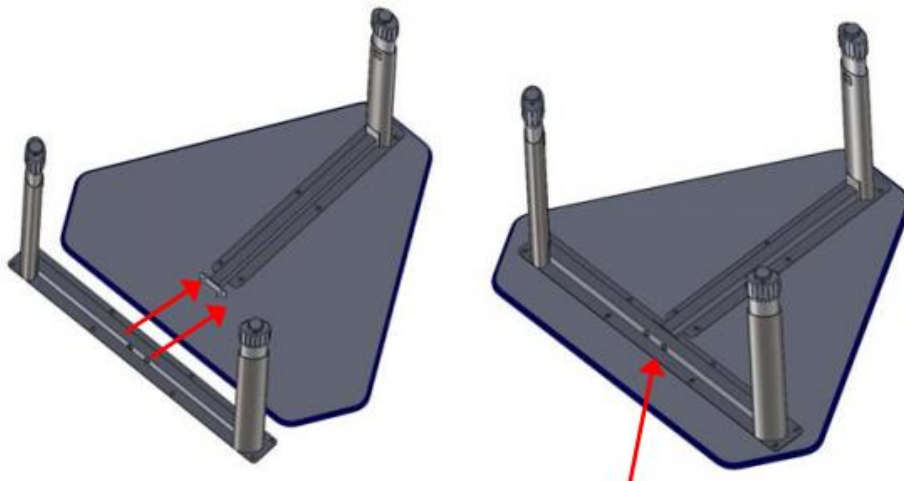
You may also place your order online at

Assembly Instructions

Step 1: Align the center support with the pre-drills on the top.



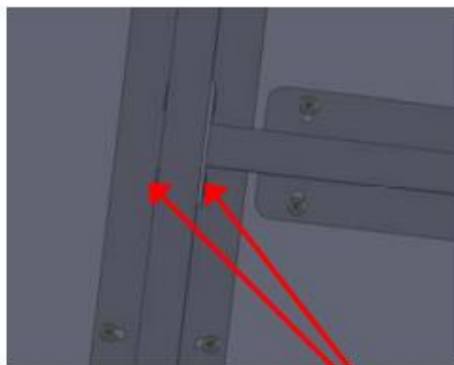
Step 2: Position the other legs as shown below, aligning them with the pre-drills.



Step 3: Secure the legs together **loosely** with the connector bolts provided.

Step 4: Fasten the frame assembly to the top using the (14) 5/8" wood screws provided.

Step 5: Tighten the connector bolt using the Allen Key (Hex Key) provided.



Connector Bolt

For Assistance in assembling product, missing or damaged parts, or to place an order, please contact customer service at 800-328-1061.

You may also place your order online at