



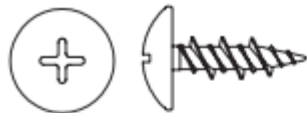
SMITH SYSTEM

Furniture for inspired learning.

Flex Trapezoid Assembly Instructions

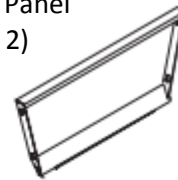
(Models: 01340, 01345)

Hardware and Components



#10x3/4" Wood Screw
P/N: 70054
(QTY: 32)

Modesty Panel
(QTY: 2)

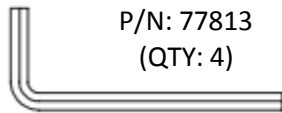


3/8"-16x.625 Dog Nut Screw
P/N: 77741
(QTY: 8)

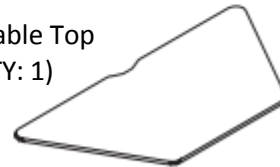
Y- Leg Sets
(QTY: 2 sets of 2 Legs)



Allen Wrench 3/16"
P/N: 77813
(QTY: 4)



Trap Table Top
(QTY: 1)



P/N: 70867 – Connector Bolt 1/4-20x23mm
P/N 70871 – Connector Nut 1/4-20x17mm
(QTY: 8 of each)

Replacement Hardware Pack:
69729-R – Flex Y-Leg Hardware Pack

1. (4) 70870 - Connector Bolt 1/4-20x23mm
2. (4) 70871 – Connector Nut 1/4-20x17mm
3. (2) 77817 – Allen Wrench 3/16"
4. (17) 70054 - #10x3/4" Wood Screw



For Assistance in assembling product, missing or damaged parts,
or to place an order, please contact customer service at 800-328-1061

You may also place your order online at

www.smithsystem.com

Assembly Instructions

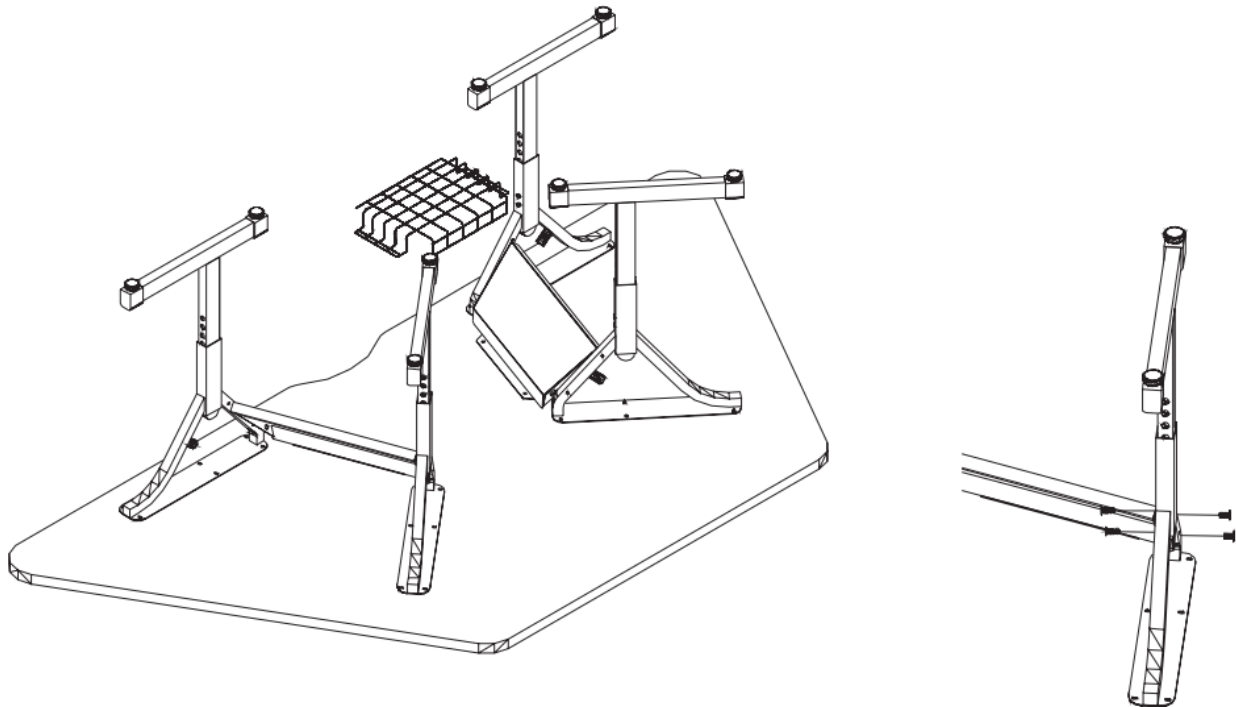
Step 1: Place the table top on a smooth, clean surface with the bottom facing up.

Step 2: Assemble the panel with the legs using the supplied connector bolts. DO NOT TIGHTEN, LEAVE FINGER TIGHT.

Step 3: Align the assembled frame with the pilot holes on the top. Loosely attach the frame assembly to the top using the supplied #10 wood screws.

Step 4: Now, go back and tighten the frame assembly. Once complete, tighten the wood screws to the top.

Step 5: Using the supplied wood screws, attach the wire basket to the top. Adjust the leg height using the supplied Allen wrench. With the help of another person, carefully turn the unit over and set it on its legs. The unit is now ready for use.



For Assistance in assembling product, missing or damaged parts,
or to place an order, please contact customer service at 800-328-1061
You may also place your order online at
www.smithsystem.com