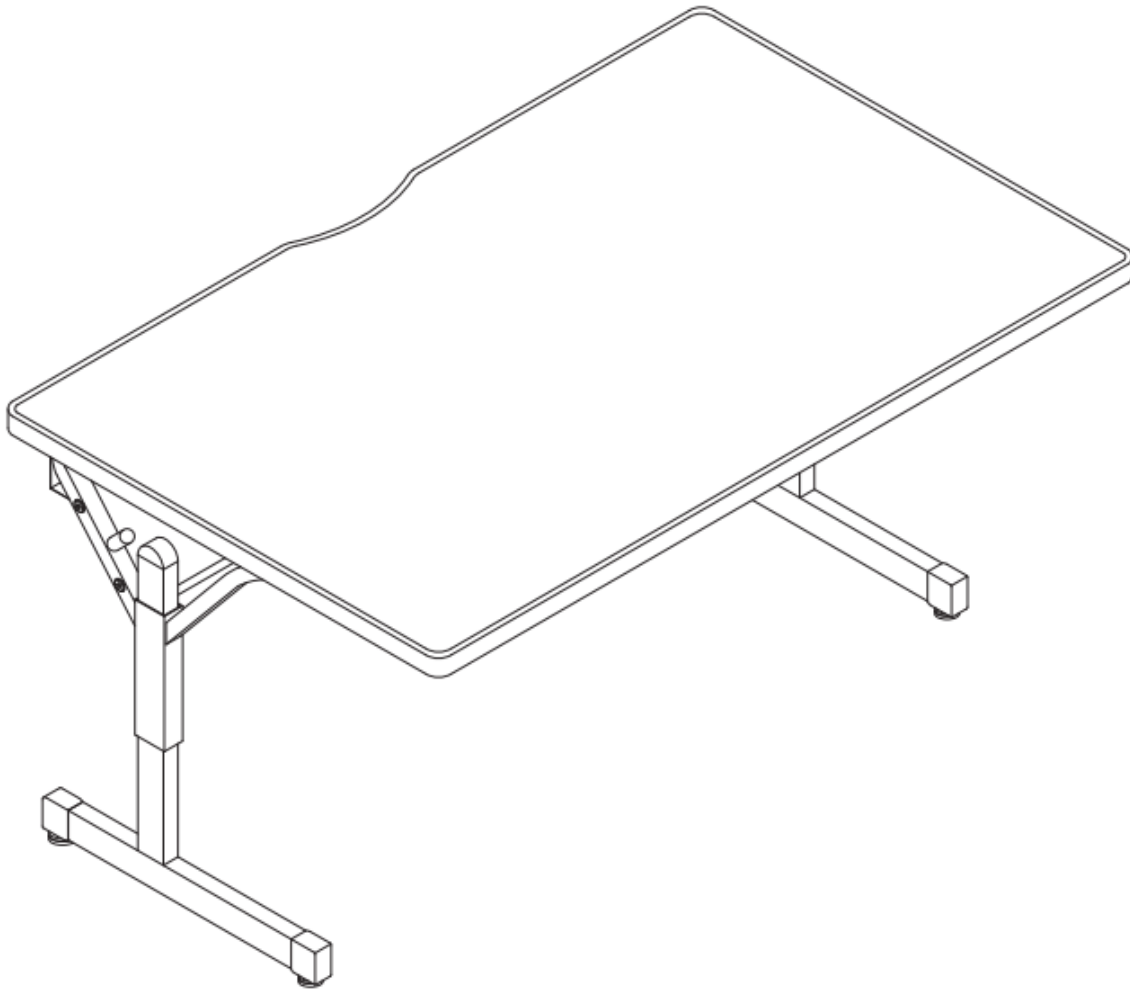




SMITH SYSTEM

Furniture for inspired learning.

Flexline Station Assembly Instructions

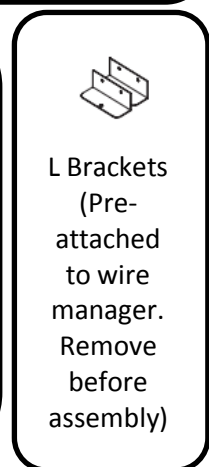
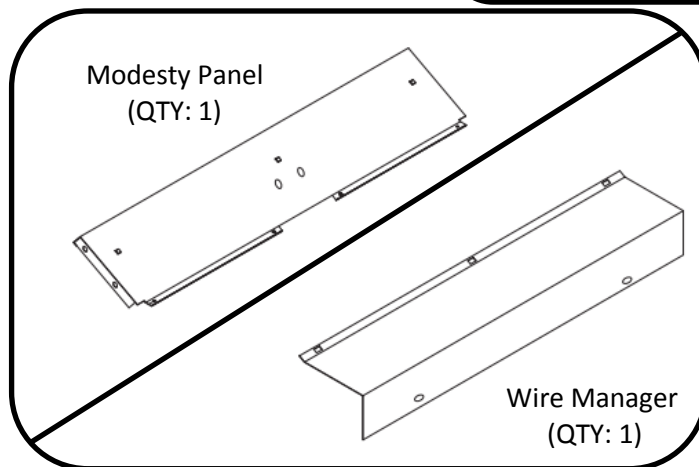
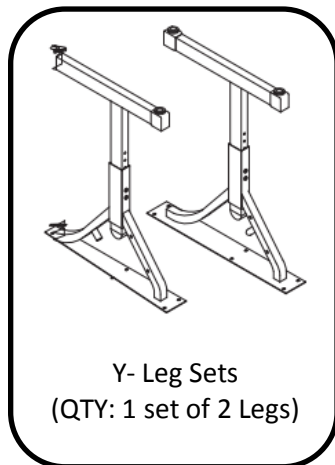
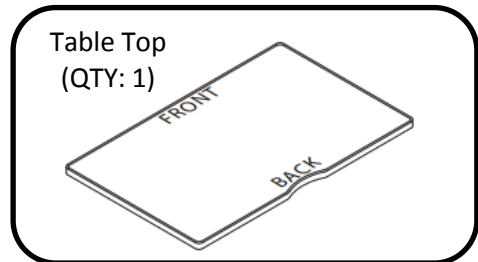
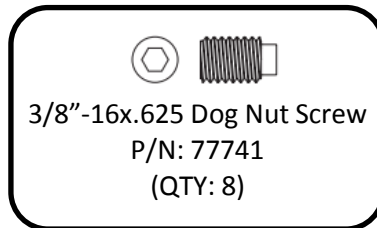
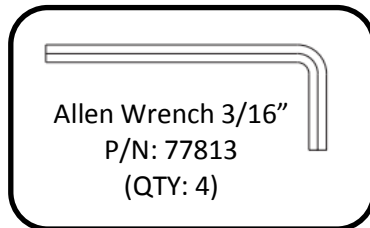
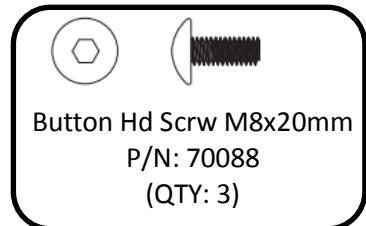
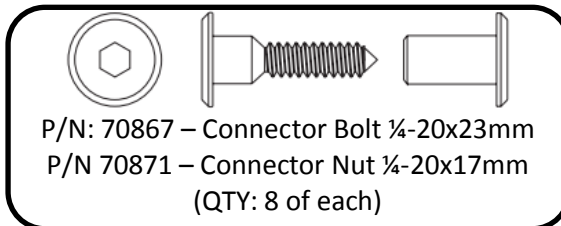
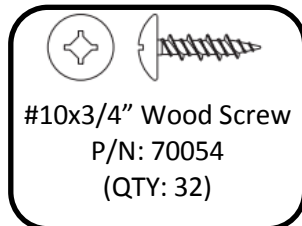


For Assistance in assembling product, missing or damaged parts,
or to place an order, please contact customer service at 800-328-1061

You may also place your order online at

www.smithsystem.com

Hardware and Components



Replacement Hardware Packs:

1. 69723-R – Flex Table Additional Hardware Pack
 - a. (11) 70054 – SM Screw #10x.75 HI/LO PTH
 - b. (3) 70088 – Screw, Button Head 8MX20MM
2. 69729-R – Flex Y-Leg Hardware Pack
 - a. (4) 70870 – Connector Bolt 1/4-20x23mm Nylok
 - b. (4) 70871 – Connector Nut 1/4-20x17mm
 - c. (2) 77813 – Allen wrench 3/16" Short Arm
 - d. (17) 70054 – SM Screw #10x.75 HI.LO PTH

For Assistance in assembling product, missing or damaged parts,
or to place an order, please contact customer service at 800-328-1061

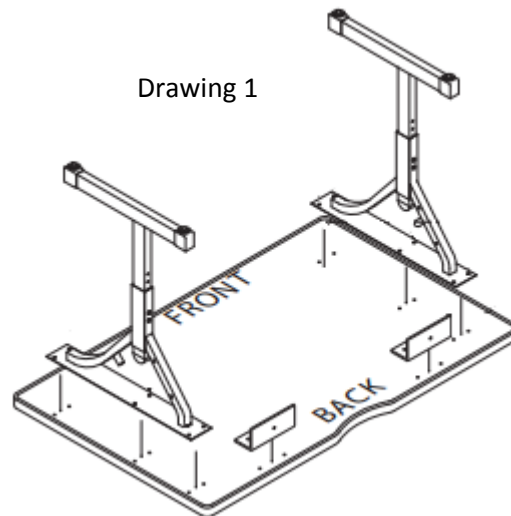
You may also place your order online at

www.smithsystem.com

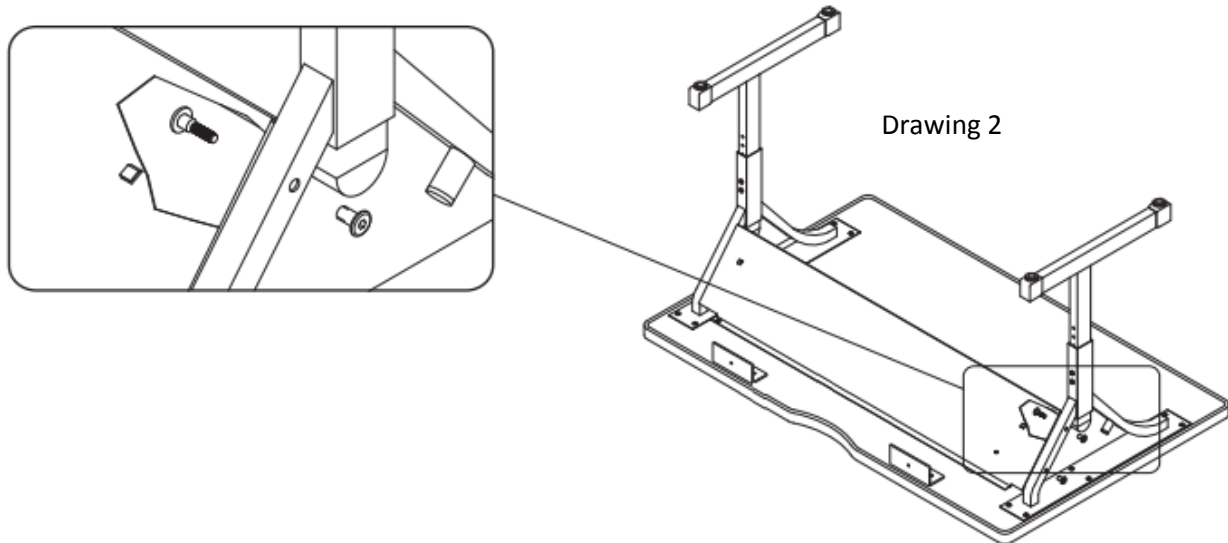
Assembly Instructions

Step 1: Place the top on a smooth, clean surface with the bottom facing up, being careful not to scratch the top surface.

Step 2: Align the Y-legs and the “L” brackets with the Predrilled holes, but only attach the “L” brackets to the top using (4) Wood Screws. (See Picture #1)



Step 3: Loosely attach the Panel to the Y-Legs using the (4) Connector Bolts (See Picture #2). **ONLY HAND TIGHTEN THE BOLTS.**



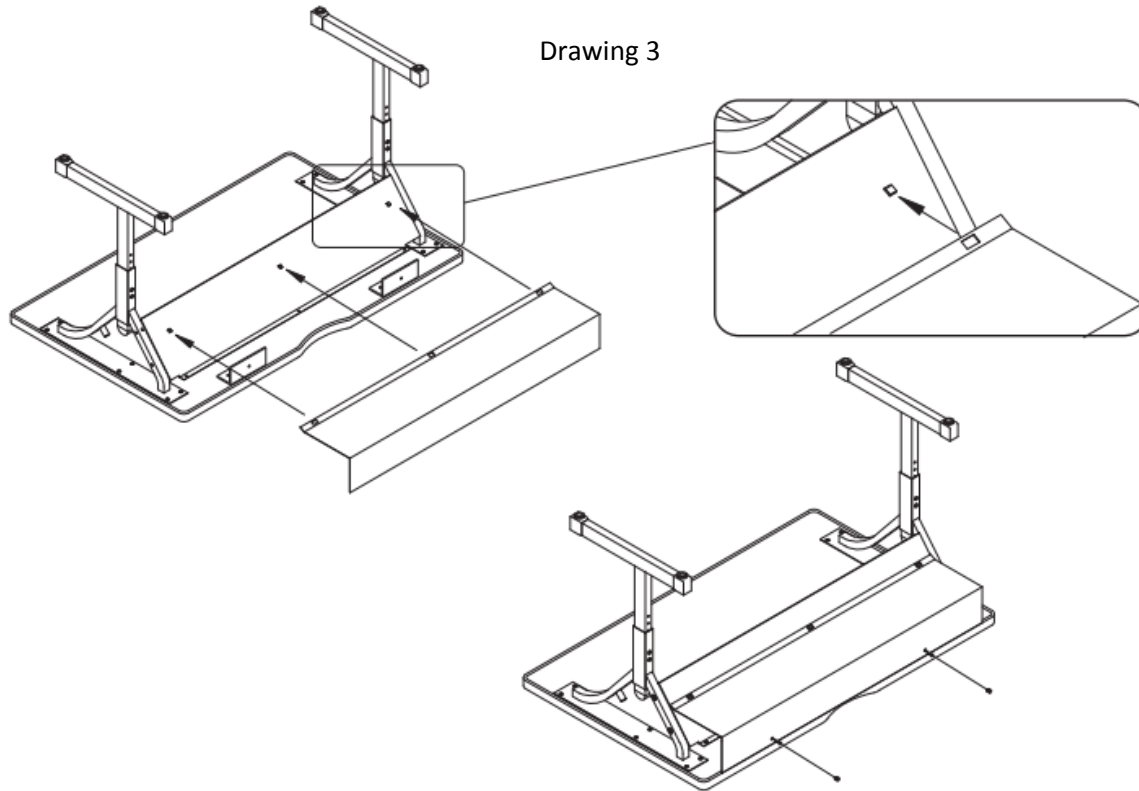
Step 4: Using the remaining wood screws, attach the Y-Legs and the panel to the top. Go back and tighten the bolts from Step 3.

For Assistance in assembling product, missing or damaged parts,
or to place an order, please contact customer service at 800-328-1061

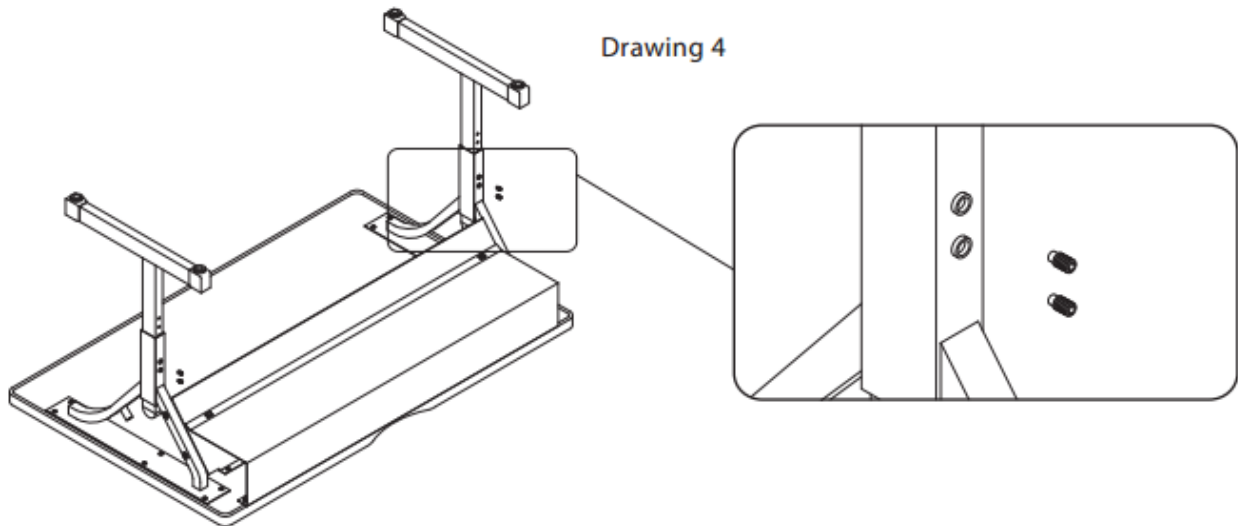
You may also place your order online at

www.smithsystem.com

Step 5: Place the wire manager into the hooks located at the back of the panel. Using the (2) Button Head Screws, attach the wire manager to the “L” Brackets (See Drawing 3).



Step 6: Adjust the legs to the desired height by loosening the 3/8”-16 Dog Nut Screws and pulling out the lower part of the leg to the desired height (See Drawing 4). Use the Allen wrench provided to loosen screws.



For Assistance in assembling product, missing or damaged parts,
or to place an order, please contact customer service at 800-328-1061
You may also place your order online at
www.smithsystem.com