

# MODEL #00977 & 00978

## Plato Rhombus Arm Chair

### DESIGN:

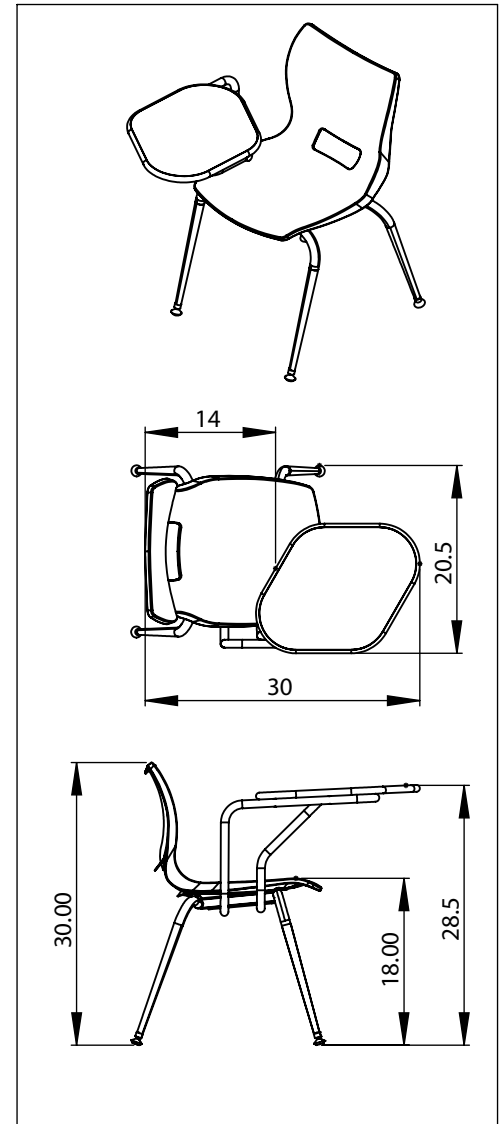
The Plato Chair is a posture demanding chair based on the Euro Spec. The Plato chair offers a wide seat pan and a lumbar support designed to comply with current anthropometric data for improved ergonomics.

### MATERIALS:

The chair frame is constructed of strong 1" x 18-gauge tubing that is chrome plated for a long lasting durable finish and is capped off with our durable nylon base swivel glides (steel and felt also available). The shell is attached to 16-gauge brackets via a metal to metal steel riveted connection.

The Rhombus Attachment is constructed from a 7/8" diameter x 16 gauge steel tubing frame attached to a 12 gauge steel plate with a chrome finish. The Rhombus frame is securely fastened to the steel chair frame using 4 machine screws. The laminated top is made of 3/4" thick high density particle board with your choice of laminate and bullet t-mold color. The laminate top fastens securely to the frame using 8 wood screws through clamps. The 'belly room' gap between the Tablet and seat back is roughly 14". \*Please note this measurement can be adjusted to your preference on site at installation.

### PRODUCT SPECIFICATIONS:



### DIMENSIONS & FREIGHT:

Model	Description	D"	W"	H"	F.C.	Cube	Wt.	UPS
00977	'A' Shell Rhombus - Right Hand	30	20.5	30	125	6.3	17	✓
00978	'A' Shell Rhombus - Left Hand	30	20.5	30	125	6.3	17	✓
S	Steel glide option	Set of 4 installed		upcharge				
F	Felt glide option	Set of 4 installed		upcharge				

#### Glide Options

Nylon base is standard. Optional is felt base:

\*This is factory installed option not available for field installation. Glide option must be on original chair order.

**Felt glide option** : Add ' F ' to follow Model No. **Steel glide option** : Add ' S ' to follow Model No.

### AVAILABLE COLORS:

Frame Plato Rhombus Laminate Choice



#### 3/4" Tops



#### Tablet Chairs Have Top and Edge Choices

**CHOICE 5** - 3/4" top with 4mm T-Mold C to follow Model No.



**CHOICE 6** - 3/4" top with Bullet T-Mold V to follow Model No.

Plato Chair Shell & Desk Edge Choice



Additional Edge Only Color Choice

