

MODEL #01273

Planner Student Desk, Hard Plastic

DESIGN:

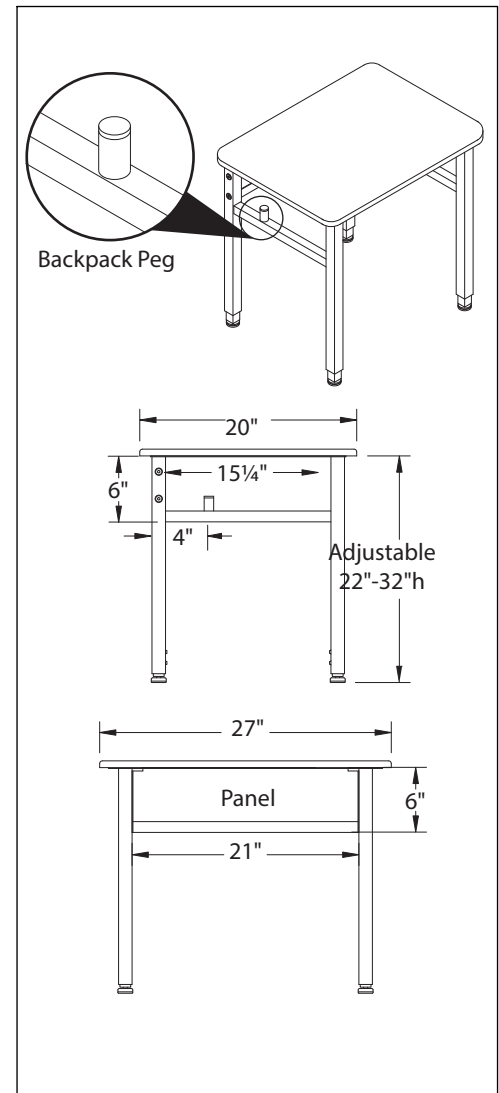
Shipped ready to assemble, these desks have a heavy-duty work surface that won't sag under heavy books or equipment.

MATERIALS:

The work surface consists of a $\frac{5}{8}$ " thick solid plastic top that is molded under high pressure from thermosetting melamine resin. The easy-cleaning solid plastic has a smooth surface which resists scratching, gouging and staining and is non-burning. Meets California firecode CAL TB 133. This versatile Silhouette Student Desk allows for a variety of arrangements in the classroom.

The frame is attached to the pre-drilled holes in the top with (12) #10 x $\frac{1}{2}$ " screws through a $3\frac{1}{8}$ "W x 18"L 14-gauge steel mounting plate. The mounting plate is welded to (2) $1\frac{1}{4}$ " square 14-gauge steel tube legs which is welded to a 1" square 14-gauge steel tube cross bar. The leg inserts are 1" square 14-gauge steel tube and adjust in height from 22" to 32" in 1" increments. The adjustment for each leg is secured with (2) $3\frac{3}{4}$ "-16 x .675" Allen screws. The right and left leg both include the Smith System patented backpack peg allowing for either inside or outside positioning. The legs are tied together for added strength with a 6" high 18-gauge steel panel and (4) Connector Bolts. Legs have 1" adjusting leveling glides.

PRODUCT SPECIFICATIONS:

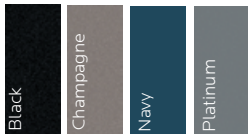


DIMENSIONS & FREIGHT:

Model	Description	D"	W"	H"	F.C.	Cube	Wt.	UPS
Planner Student Desk (HP)								
01273	Planner Student Desk, HP Top	20	27	22-32	70	1.0	36	✓
	Carton Dimensions	21	28	7				

AVAILABLE COLORS:

Planner Student Desk Frame Color Choice



Hard Plastic Desk Color Choice

