

MODEL #25500, 25510, 25520, 25530, 25540

30" d Planner Activity Tables

DESIGN:

The Planner is ideal for all kinds of classroom activities. The heavy duty construction contributes to a sturdy work surface that can hold 400 pounds. The Planner Activity table is shipped ready to assemble.

MATERIALS:

The 1 1/4" or 3/4" thick work surface consists of 45 lb. density particle board core with a .030" high-pressure laminated surface and a .020" melamine backer sheet. The edge of the work surface features t-mold of your choice that is mechanically fastened every 6 to 8 inches to assure a long lasting fit. The top is pre-drilled for ease of installation.

The frame consists of two fully welded leg segments and a center support channel. The legs are attached to the pre-drilled holes in the top with (16) #10 x 5/8" wood screws through a 3 1/8" w x 18" L 12-gauge steel mounting plate. The mounting plate is welded to (2) 1 1/4" square 12-gauge steel tube legs which is welded to a 1" x 2" 14-gauge steel tube cross bar. The leg inserts are 1" square 14-gauge steel tube and adjust in height from 24" to 34" in 1" increments. Leveling glides are on each table leg allowing for stability on uneven floors. The adjustment for each leg is secured with (2) 3 3/4" -16 x .675" Allen screws. The center support channel is 2" x 3" 14-gauge steel, with 11-gauge steel end plates for maximum stability. The center support channel is connected to the legs by (4) connector bolts.

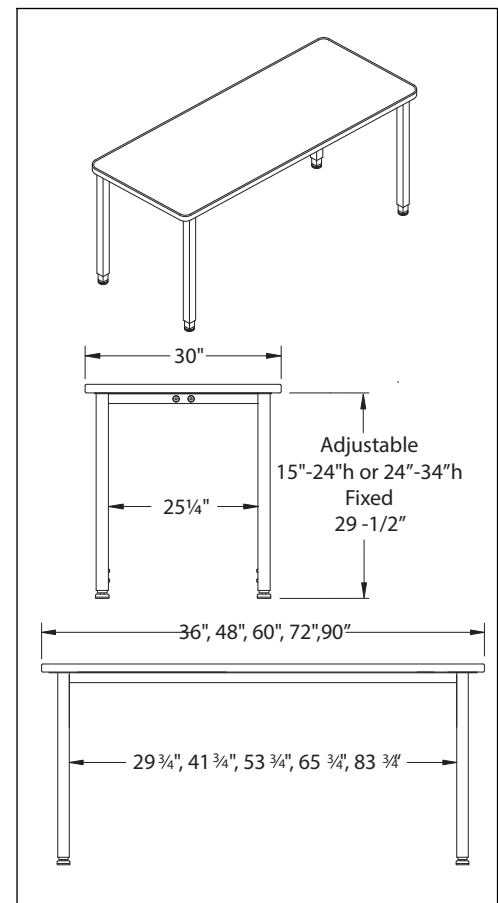
DIMENSIONS & FREIGHT: Product is NOT UPSable.

Model	Description	D"	W"	H"	F.C.	Cube	Wt.
30" d Planner Activity Tables							
25500	Planner Activity Rectangle	30	36	24-34	70	2.5	76
25510	Planner Activity Rectangle	30	48	24-34	70	3.0	90
25520	Planner Activity Rectangle	30	60	24-34	70	3.8	104
25530	Planner Activity Rectangle	30	72	24-34	70	4.5	120
25540	Planner Activity Rectangle	30	90	24-34	70	6.3	137

*Optional legs for 30" and 36" deep models:

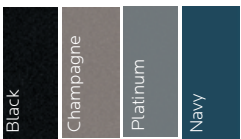
Low-range available in 15-24" h. Add **L** following model number. Available in Black and Platinum only.
Fixed-height available in 29.5" h. Add **X** following model number. Available in Black only.

PRODUCT SPECIFICATIONS:

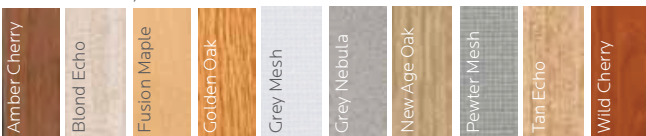


AVAILABLE COLORS:

Planner Activity
Frame Color Choice



Planner Activity Laminate Color Choice



Planner Activity Color Choice



Planner Activity Tables Have Top and Edge Choices

1 1/4" Tops

- CHOICE 1** 3/8" Bumper T-Mold
- CHOICE 2** 3mm Edge
- CHOICE 3** 4mm T-Mold

CHOICE 1 - 1 1/4" top with Bumper T-Mold no letter to follow Model No.
CHOICE 2 - 1 1/4" top with 3mm Edge **F** to follow Model No. Rectangle only.
CHOICE 3 - 1 1/4" top with 4mm T-Mold **D** to follow Model No.

3/4" Tops

- CHOICE 4** 3mm Edge
- CHOICE 5** 4mm T-Mold
- CHOICE 6** Bullet T-Mold

CHOICE 4 - 3/4" top with 3mm Edge **E** to follow Model No.
CHOICE 5 - 3/4" top with 4mm T-Mold **C** to follow Model No. Rectangle only.
CHOICE 6 - 3/4" top with Bullet T-Mold **V** to follow Model No.