

MODEL #CH___P___

Chat Chair

DESIGN:

The Chat Chair is a new concept in seating, providing an option between lounge and classroom seating. The Chat Chair offers large dimensions, encouraging the student to engage in relaxed collaborative learning or social learning settings. The Chat Chair offers excellent flexibility: integrated casters provide easy mobility. It can be linked or positioned individually. Available in 15 colors with nylon or felt glides.

MATERIALS:

The seat and back are constructed of polypropylene. The welded frame is formed from 16 gauge steel and is available in Chocolate or Platinum powdercoat finish. The 2.75" casters have a full bearing center for long lasting strength and ease of movement.

DIMENSIONS & FREIGHT:

Model	Description	D"	W"	H"	F.C.	Cube	Wt.	UPS
Chat Chair								
CH1_P_P_0	18" high w/ nylon glide	24	24.5	18	125		26	
CH2_P_P_0	18" high w/ felt glide	24	24.5	18	125		26	
	Carton Dimensions	31.5	26	40				

Polypropylene (P) Seat and Polypropylene (P) Back.

Choose Frame Color for 1st _ **1** = Platinum **2** = Chocolate

Seat Color Choice for 2nd _ **Choose 1 letter**

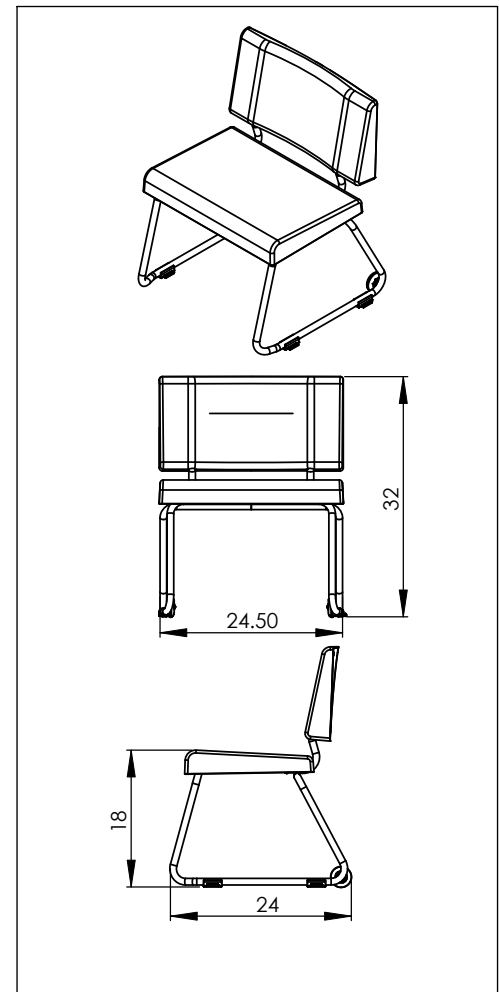
Back Color Choice for 3rd _ **Choose 1 letter**

How to read a Chat™ Chair 10-digit Part Number

Here's our simple system for ordering Chat Chairs exactly the way you want them. Just decide what features and options you want, fit them in the columns below and write them down in sequence.

1	2	3	4	5	6	7	8	9	10
C	H	1 or 2	1 or 2	P or F	Pick Color	P	Pick Color	0 or 1	0 or 1

1 2 Chair Type CH = Chair	3 Chair Size/Type 1 = 18" high w/ nylon glide 2 = 18" high w/ felt glide	4 Frame Color 1 = Platinum 2 = Chocolate	5 Seat Type P = Poly F = Fabric
6 Seat Color See Shell Color Chart Choose 1 Letter	7 Back Type P = Poly	8 Back Color See Shell Color Chart Choose 1 Letter	9 10 Screen Power 0 = No Screen 1 = Screen 0 = No Power 1 = Power



AVAILABLE COLORS:

Frame Color Choice

Chat Chair Shell Color Choice (seat & back)

