



# Product Specifications

## CPU HOLDER

### Model# 17213

Security and strength are the hallmarks of our CPU holder. The all-steel construction provides adjustability for the various widths and heights of modern workstation towers. The unit mounts underneath the work surface via six wood screws through a solid steel plate. The computer will be secured via two steel bars and matching combination locks.

\*\*The unit supports up to 50 lbs of weight.

### Material

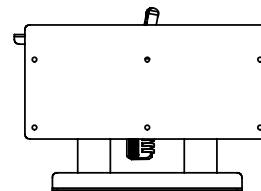
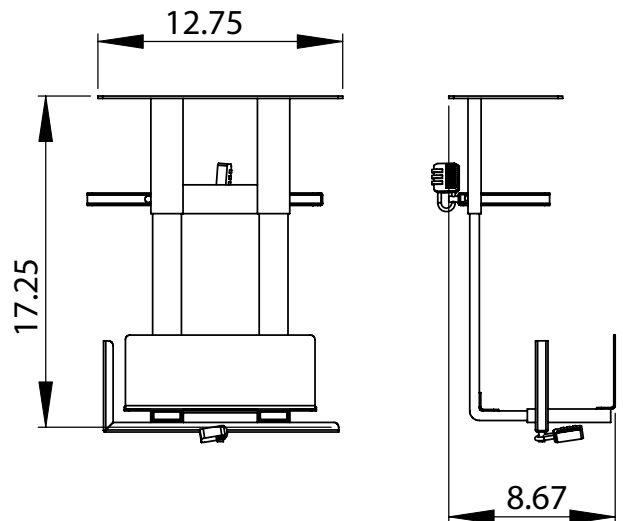
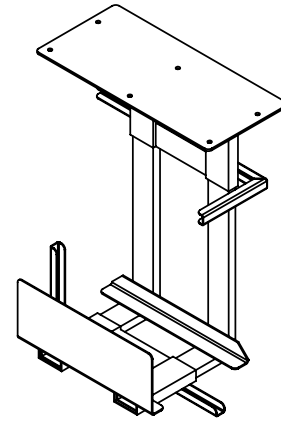
This backbone of this unit is constructed of 1/2" x 1-1/2" 16 gauge rectangular tubing. The top is a 11 gauge heavy plate welded to the steel tubing, with holes for attachment points. The side plate is 14 gauge with a flange for added strength. Vertical adjustment is 15.5" to 20.0". Width adjustment is 5.5" to 10.25". A one-step adjustment process is possible using the hex key included to loosen and/or tighten the pre-installed hex socket screws. Two (2) locks are included for added security. Locks are three-disc combination locks.

### Dimensions

Box dims: 16.5L x 8.25D x 7.0H

### Freight

Weight: 12 lbs  
Freight Class: 70  
Product is UPSable



For more information, call 1.800.328.1061 or email [furniture@smithsystem.com](mailto:furniture@smithsystem.com)

### Available Colors

Black

