



Product Specifications

FLAT PANEL MONITOR MOUNT WITH TILT & SWIVEL

Model# 17351

Flat panel monitor mounts secure your monitor to the desk without occupying usable desk space needed for keyboards and documents. The tilt feature helps adjust the monitor for viewing angle -- tilt back for taller users, tilt forward for smaller users. The swivel feature is for free rotation of the monitor to up to 90 degrees. The swivel feature prevents the monitor from blocking the view of the instructor. The tilt and swivel features are suitable for interactive classrooms and computer labs.

Material

The dimensions of the monitor mount measure approximately 16.875" in height, 4.5" in width, and 8.36" deep. The construction is 12 gage cold-rolled steel with a mounting plate that is 11 ga with standard hole pattern which are VESA compliant. The mount is intended for 15", 17", and 19" flat panel monitors. This item can be mounted anywhere on the desk as long as there is enough clearance under the table for the 3.66-in diameter washer.

Dimensions

16.875H x 4.5"W X 8.36D

Freight

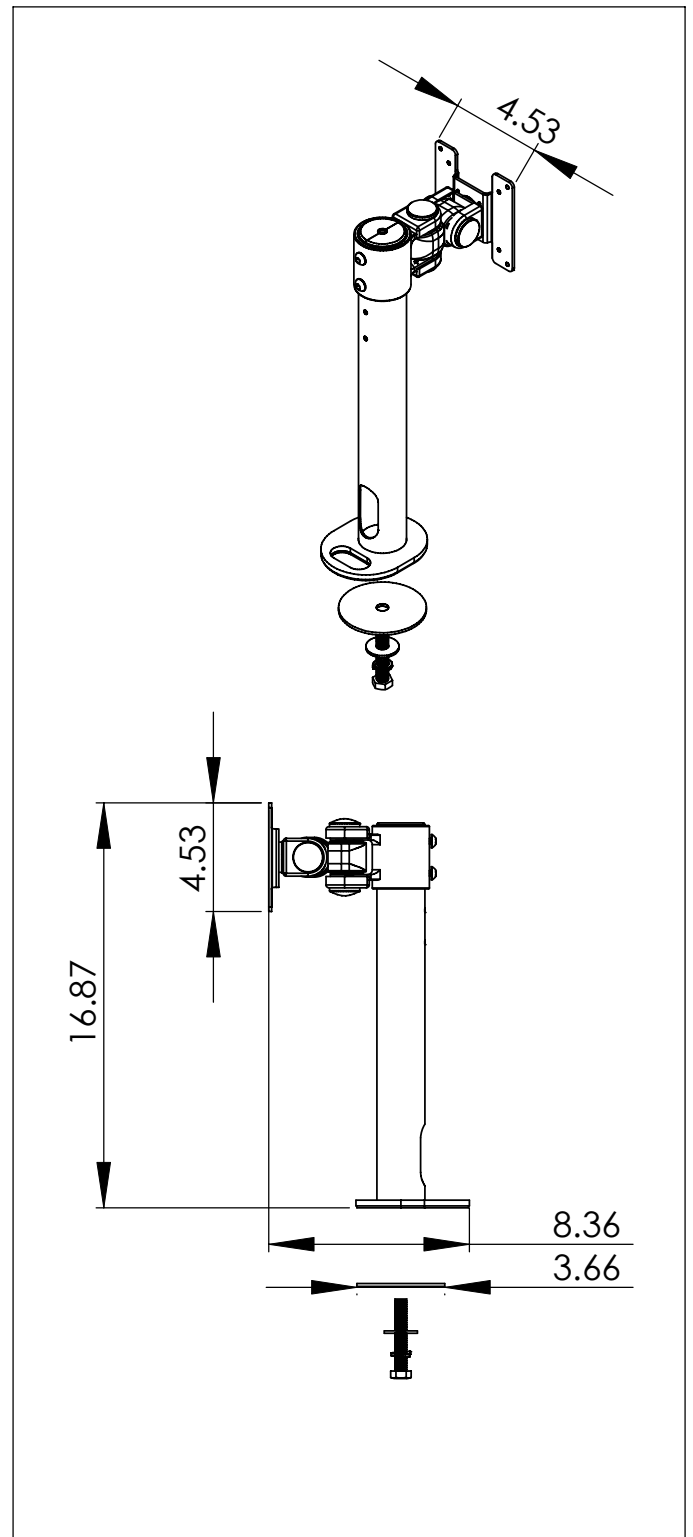
Ships in one box with instructions

Weight: 7 lbs

Cube: 0.9

Box Dimensions: 17.5"x7.5"x5" single carton

Freight Class: 70



For more information, call 1.800.328.1061 or email furniture@smithsystem.com

