



Product Specifications

Mobile Drawer Pedestal

Model# 19172

File/File drawer. Key gang lock. Mobile pedestal is easy to maneuver. Doubles as projector stand and can hold table top lectern for student use

Qty: _____

Color: _____

Material

The body of the cabinet is all welded 20-gauge steel construction. Four-wheel rail system for each drawer. File Drawers have integrated rails for standard hanging file folders. Drawers are lockable using a gang lock locking system.

Each mobile pedestal comes with both a glide option as well as a 2" caster option with brakes. Also a 5th wheel is added to prevent the drawer from tilting when fully extended when using caster option. Each unit is painted with a powder coat finish.

Dimensions

Product dimensions:

By itself: 21 5/8"d x 15 1/2"w x 25 1/4"h

With Glides: 21 5/8"d x 15 1/2"w x 25 3/4"h

With Casters: 21 5/8"d x 15 1/2"w x 27 1/4"h

Carton dimensions: 23"d x 17"w x 25"h

Available Colors

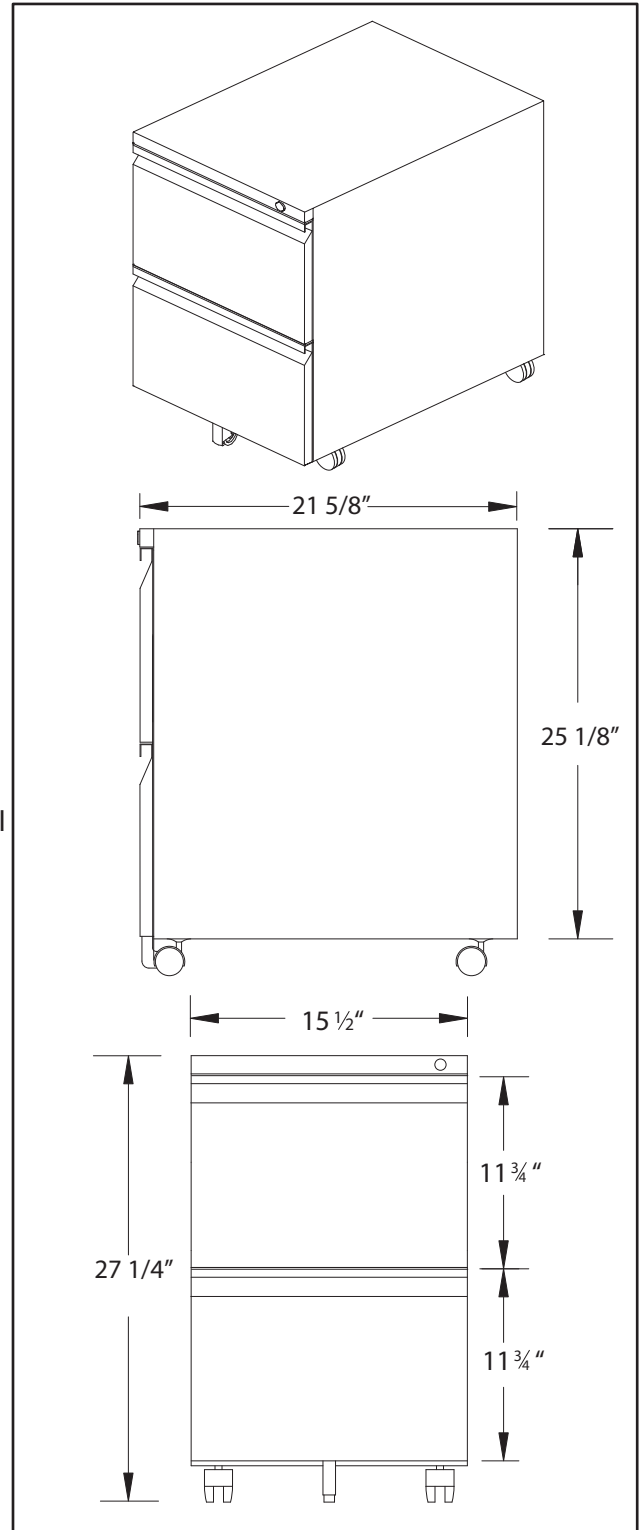
- Black Navy
- Champagne Platinum

Freight

Weight: 44 lbs.

Freight Class: 100

Product is NOT UPSat



For more information call 1-800-328-1061 or email: furniture@smithsystem.com

