



Product Specifications

Mobile Drawer Pedestal

Model# 19173

Box/Box/File drawer. Key gang lock. Mobile pedestal is easy to maneuver. Doubles as projector stand and can hold table top lectern for student use

Qty: _____

Color: _____

Material

The body of the cabinet is all welded 20-gauge steel construction. Four-wheel rail system for each drawer. File Drawers have integrated rails for standard hanging file folders. Drawers are lockable using a gang lock locking system.

Each mobile pedestal comes with both a glide option as well as a 2" caster option with brakes. Also a 5th wheel is added to prevent the drawer from tilting when fully extended when using caster option. Each unit is painted with a powder coat finish.

Dimensions

Product dimensions: 21 5/8" d x 15 1/2" w x 25 1/8" h

Carton dimensions: 23" d x 17" w x 25" h

Available Colors

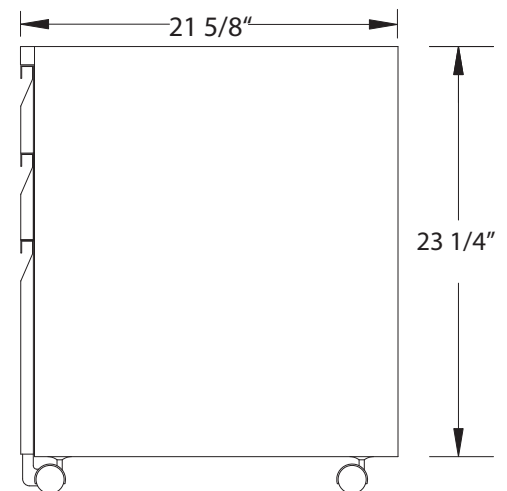
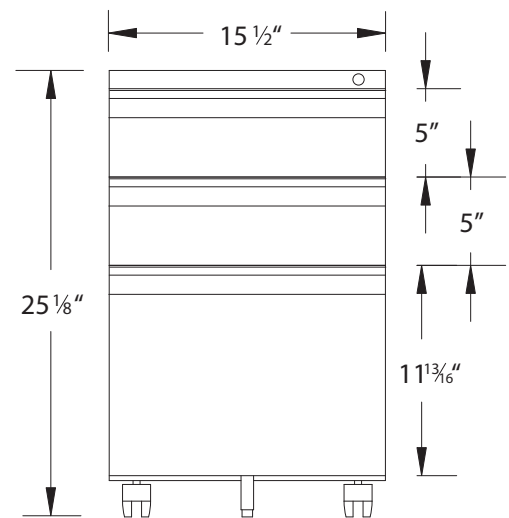
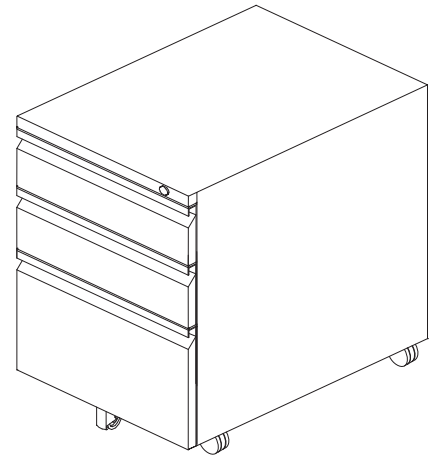
Black Navy
Champagne Platinum

Freight

Weight: 50 lbs.

Freight Class: 100

Product is NOT UPSable



For more information call 1-800-328-1061 or email: furniture@smithsystem.com

