



# Book Truck

## Model# 21110 (2) Sloping, Single Sided Truck

Buffalo Book Trucks are a handy companion to the library or classroom, carrying up to 300 lbs. of books, paper, and projects. They move easily through aisles on soft-tread, dual wheel casters that won't shimmy like single wheels.

Qty: \_\_\_\_\_

Color: \_\_\_\_\_

## Material

This Buffalo Book Truck consists of (2) Frames, (2) End Panels, and (2) Sloping Shelves. The **End Panels** consist of 20-gauge steel full height panels welded to 1" square 18-gauge steel tubing **Frame** with formed in handles that radius for added comfort and ease of movement. The **Sloping Shelves** are constructed of 20-gauge steel single sided sloping shelves that are 26" long x 10<sup>25</sup>/<sub>64</sub>" deep and a 4<sup>3</sup>/<sub>64</sub>" high back. The shelves sport a 14<sup>1</sup>/<sub>4</sub>" clearance between shelves and are welded to the frames and end panels of the Book Truck. All Book Trucks feature 4" diameter dual wheel casters with soft tread for quiet operation. Dual wheels have no saddle that may damage surrounding furniture.

## Dimensions

Product dimensions: 14"d x 28"w x 32 1/2"h

Box dimensions: 15"d x 30 1/2"w x 31"h

## Freight

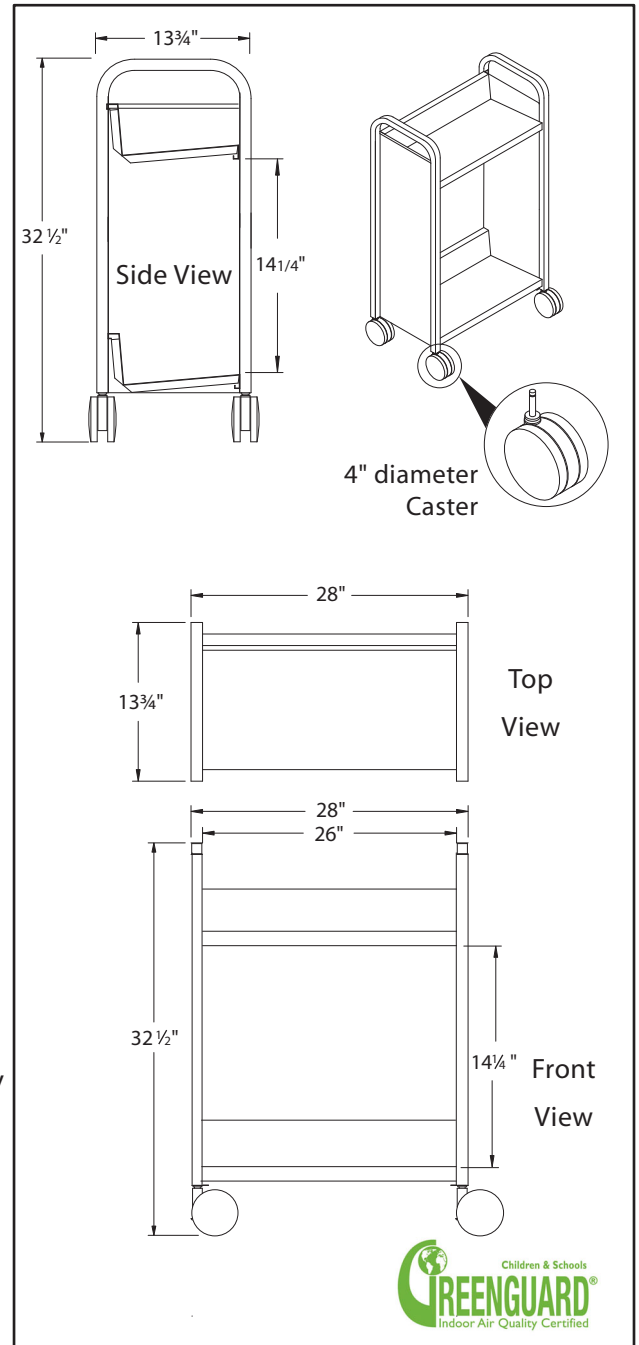
Weight: 34 lbs.

Freight Class: 150

## Available Colors

- |               |               |
|---------------|---------------|
| -Apple        | -Mint         |
| -Black        | -Mocha        |
| -Blueberry    | -Navy         |
| -Burgundy     | -Persian Blue |
| -Cerulean     | -Platinum     |
| -Champagne    | -Purple       |
| -Chocolate    | -Red          |
| -Clementine   | -Sand         |
| -Forest Green | -Yellow       |
| -Fuchsia      |               |

# Product Specifications



For more information call 1-800-328-1061 or email: [furniture@smithsystem.com](mailto:furniture@smithsystem.com)

