



# Product Specifications

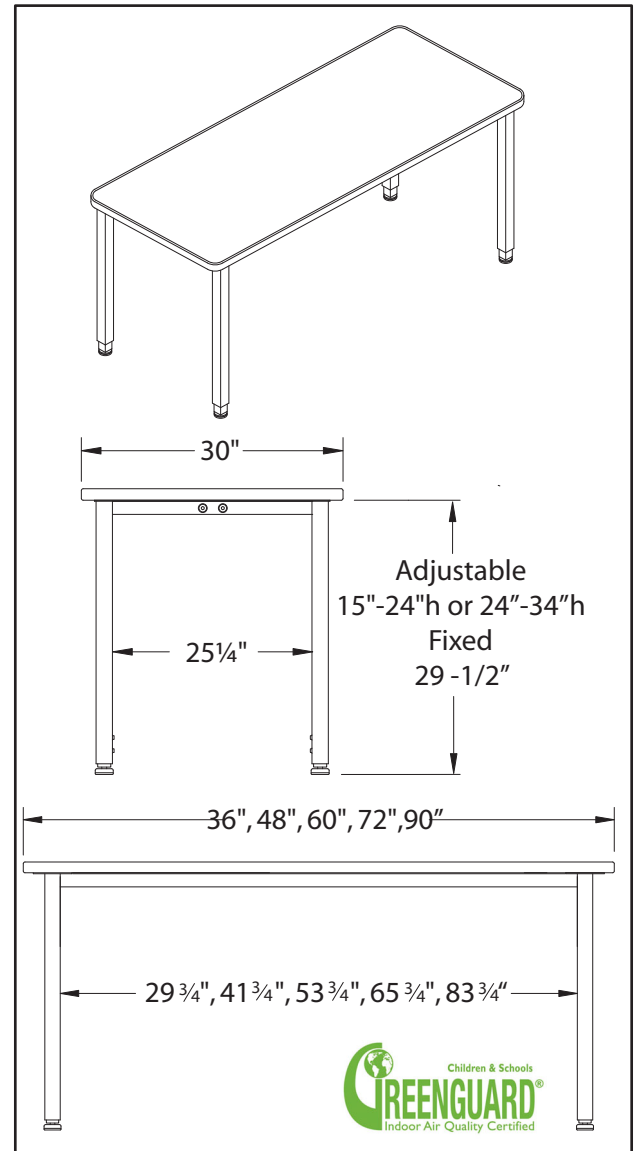
## 30"d Planner Activity Table

The Planner is ideal for all kinds of classroom activities. The heavy duty construction contributes to a sturdy work surface that can hold 400-lbs. The Planner Activity Table is shipped ready to assemble. Qty: \_\_\_\_\_

**Material** Color: \_\_\_\_\_

The 1-1/4" thick **work surface** consists of a 45 lb. density particle board core with a .030 high-pressure laminated surface and a .020" melamine backer sheet. The edge of the work surface features 3/8" bumper edge molding that is mechanically fastened every 6 to 8 inches to assure a long lasting fit. The top is pre-drilled for ease of installation.

The **legs** are attached to the pre-drilled holes in the top with (16) #10 x 5/8" wood screws through a 3-1/8" W x 28"L 12-gauge steel mounting plate. The mounting plate is welded to (2) 1 1/4" square 12-gauge steel tube legs which is welded to a 1" x 2" 14-gauge steel tube cross bar. The legs are 1" square 14-gauge steel tube and adjust in height from either 15" to 24" for Low Range or 24" to 34" in 1" increments. The legs are also available in a Fixed Height version. Leveling glides are on each table leg allowing for stability on uneven floors. The adjustment for each leg is secured with (2) 3 3/4"-16 x .675" Allen screws. The **center support channel** is 2" x 3" 14-gauge steel, with 11-gauge steel end plates for maximum stability. The support channel is connected to the legs by (4) connector bolts.



For more information call 1-800-328-1061 or email: [furniture@smithsystem.com](mailto:furniture@smithsystem.com)

## Freight

Freight Class: 70

## Models

(Use "L" for Low Range or "X" for Fixed Height after the Model Number)

- 25500 - Rectangle 30"d x 36"w x 15-24"h or 24-34"h - Weight 76
- 25510 - Rectangle 30"d x 48"w x 15-24"h or 24-34"h - Weight 90
- 25520 - Rectangle 30"d x 60"w x 15-24"h or 24-34"h - Weight 104
- 25530 - Rectangle 30"d x 72"w x 15-24"h or 24-34"h - Weight 120
- 25590 - Rectangle 30"d x 90"w x 24-34"h - Weight 128
- 25600 - Trapezoid 30"d x 60"w x 15-24"h or 24-34"h - Weight 90

## Available Colors

Laminate Colors:

Amber Cherry, Blond Echo, Fusion Maple, Golden Oak, Grey Mesh, Grey Nebula, New Age Oak, Pewter Mesh, Tan Echo, Wild Cherry.

(Smith System is proud to offer any Wilsonart 60 Series laminate at no up charge for orders of 20 or more)

Edge Colors:

Apple, Black, Blueberry, Burgundy, Cerulean, Champagne, Charcoal, Chocolate, Clementine, Forest Green, Fuchsia, Mint, Mocha, Navy, Persian Blue, Platinum, Purple, Red, White, Yellow.

Frame Colors:

Black, Champagne, Platinum or Navy