

Product Specifications

UXL TABLE

Model# XL72TR

The UXL Table is built for today's education environment. The UXL line offers high schools and colleges a complete, integrated system for outfitting the entire school, from classrooms to commons.

Material

The 3/4" thick **work surface** consists of a 45 lb. density particleboard core with a .030 high-pressure laminated surface and a .020" melamine backer sheet. The edge of the work surface features 3/4" bumper edge molding that is mechanically fastened every 6 to 8 inches to assure a long lasting fit.

The **frame** is attached to the pre-drilled holes in the top. The legs then fasten into the frame at each corner. The table frame comes fully assembled requiring only two bolts per leg to complete the installation. The table frame is a boxed tube design made of aircraft grade aluminum to reduce weight while being very stable and sturdy. The 16 gauge steel legs are 2" diameter and powder coated for a long lasting durable finish. Legs are available in four styles with the option of 2" diameter casters or glides.

Leg Options

(FL)	Straight Fixed-height leg
w/glide	29.5"h (std, no upcharge)
(FC)	Straight Fixed-height leg
w/caster	29.5"h
(AL)	Push-button Adjustable-height leg
w/glide	27"-33"h
(AC)	Push-button Adjustable-height leg
w/caster	27"-33"h
(SL)	Push-button Adjustable-height leg
w/glide	24"-29"h
(SC)	Push-button Adjustable-height leg
w/caster	24"-29"h
(TG)	Tapered Fixed-height leg
w/glide	29.5"h
(TL)	Tapered Fixed-height leg
w/caster	29.5"h

Dimensions

30"d x 72"w x 29.5"h

Freight

Weight: 106 lbs.
Freight Class: 70

Box Dimensions

36.00d" x 74.00" w x 5.0"h

Available Colors

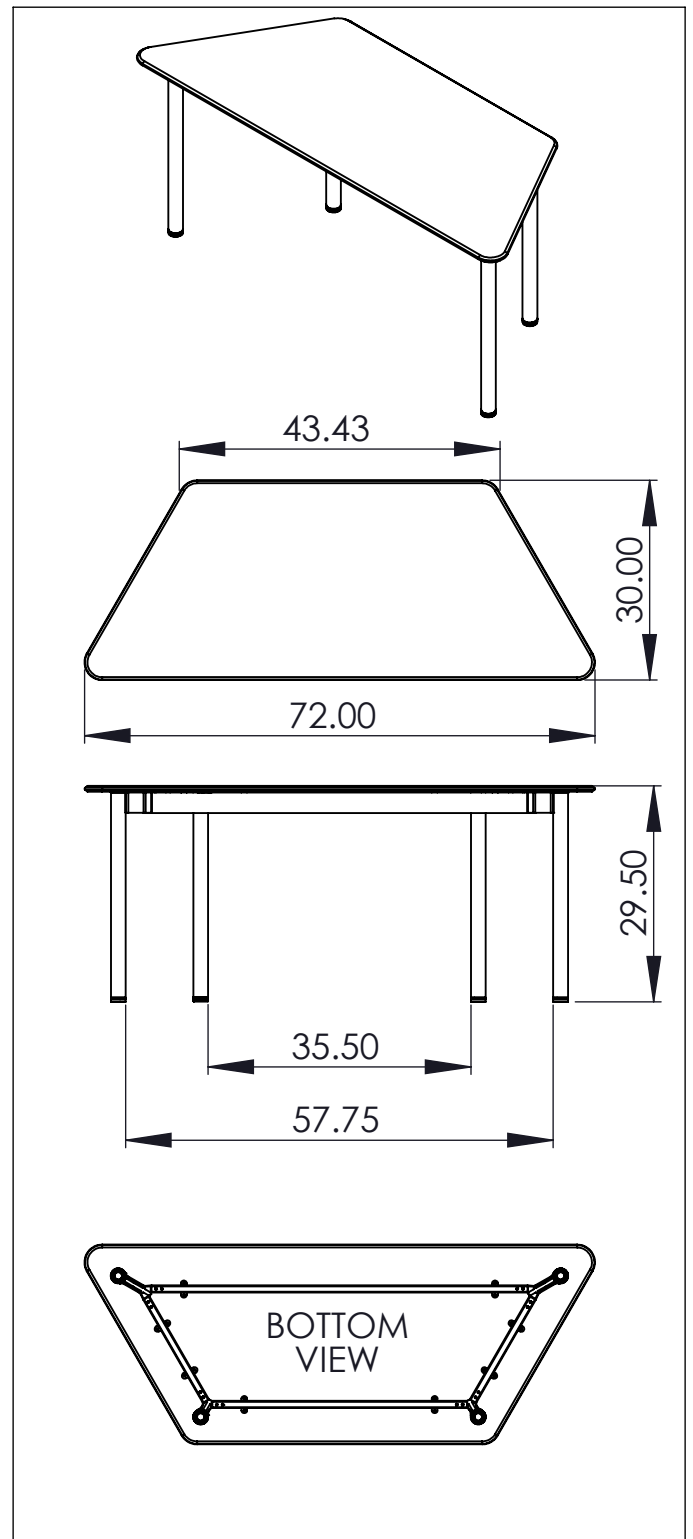
Frame: Chocolate or Platinum

Laminate Colors:

Amber Cherry, Blond Echo, Fusion Maple, Golden Oak, Grey Mesh, Grey Nebula, New Age Oak, Pewter Mesh, Tan Echo, Wild Cherry.
(Smith System is proud to offer any Wilsonart 60 Series laminate at no up charge for orders of 20 or more)

Edge Colors:

Apple, Black, Blueberry, Burgundy, Cerulean, Champagne, Charcoal, Chocolate, Clementine, Forest Green, Fuchsia, Mint, Mocha, Navy, Persian Blue, Platinum, Purple, Red, White, Yellow.



For more information, call 1.800.328.1061 or email furniture@smithsystem.com