



# Product Specifications

## CAFE TABLES

### Model# 01525, 01536

Our cafe table bases are an ideal and modern approach to library or cafeteria seating. Available in sitting or standing height for your preference. Pair one of our sturdy bases with one of our Smith System cafe table tops (available in various sizes for Round and Square shapes). Tops sold separately.

### Material

Our cafe base is constructed of heavy 18 gauge steel tubes and cast iron, powder coated in wrinkle finish. They include non-marring, adjustable black levelers. The column attaches securely to the base with a heavy hex bolt and lockwasher, for single step installation.

### Optional Accessories

PART NUMBER	DESCRIPTION
01501	30" x 30" SQ. TOP
01502	30" DIAMETER ROUND TOP

\*SEE CATALOG FOR MANY OTHER TOP OPTIONS

### Dimensions

**BULK:**

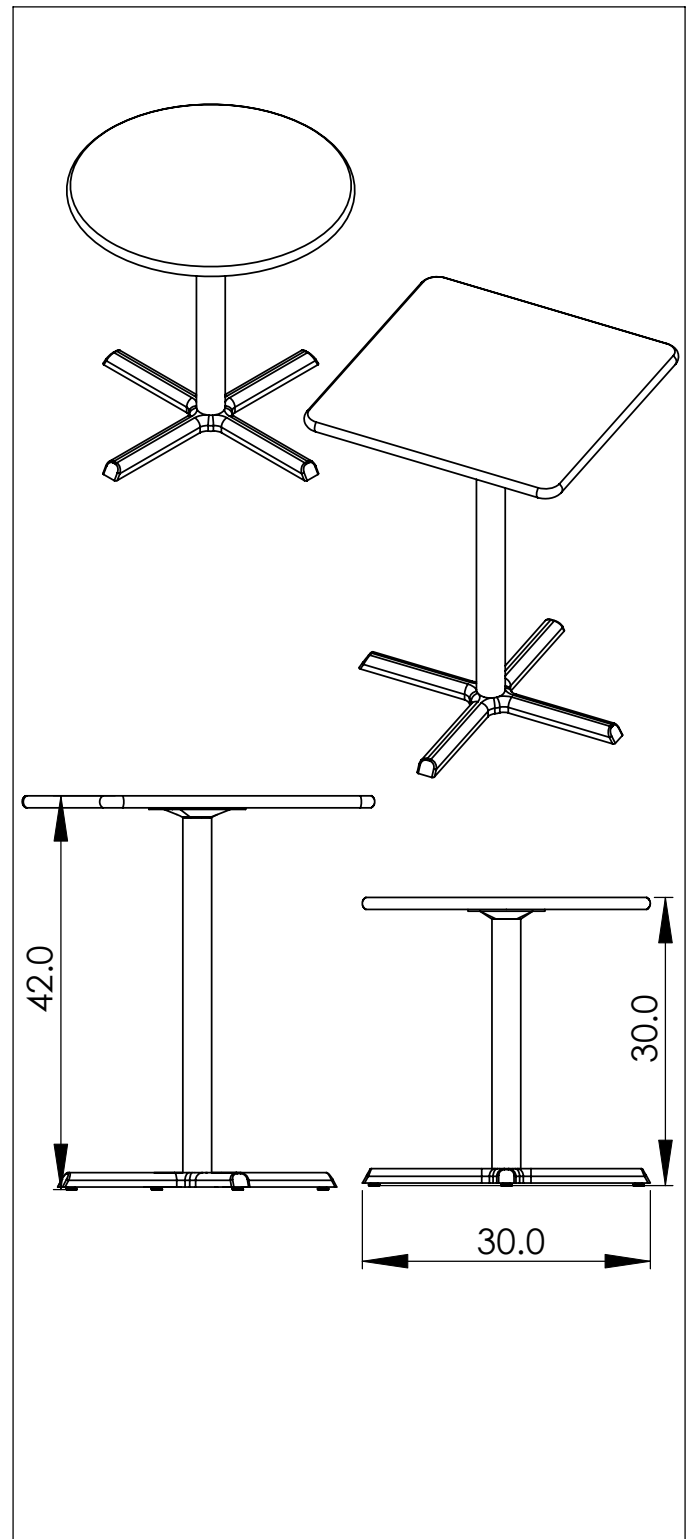
- BOX 1: 29.9" X 29.9" X 8.5" (FOR 01525 ONLY)  
42.5" X 29.1" X 8.5" (FOR 01536 ONLY)
- BOX 2: 22.4" X 22.4" X 7.9" (FOR BOTH MODELS)

**SINGLES:**

- BOX 1: 29.0" X 4.0" X 4.0" (FOR 01525 ONLY)  
43.0" X 4.0" X 4.0" (FOR 01536 ONLY)
- BOX 2: 31.0" X 31.0" X 3.0" (FOR BOTH MODELS)

### Freight

- F.C. - 70
- BOX 1: 5.8 LBS (FOR 01525 ONLY) **OR**  
6.3 LBS (FOR 01536 ONLY)
- BOX 2: 12.1 LBS (FOR BOTH MODELS)



For more information, call 1.800.328.1061 or email [furniture@smithsystem.com](mailto:furniture@smithsystem.com)

### Available Colors

BLACK, PLATINUM, AND CHAMPAGNE

