



3-2-1 Desks

Model# 03000, 03001

The shape allows the 3-2-1 Desk to be arranged to fit the day's lesson plan. For a lecture or testing, 3-2-1 Desks can be lined up in rows; for group work, the tables can be arranged in partial and full circles. Best for pre-k through grade 2 cooperative learning classrooms.

Qty: _____

Color: _____



Material

The 1 1/4" thick **work surface** consists of a 45 lb. density particle board core with a .030" high-pressure laminated surface and a .020" melamine backer sheet. The edge of the work surface features a 3/8" thick T-mold that is stapled to the underside of the work surface every 10" and at corners.

The **ellipse legs** are made out of 1 1/2" x 2 1/2" 14-gauge oval steel tubing which is protected with durable powder coat finish that matches the color of the nylon cap. The steel "V" brace welded to the top leg and mounting plate adds stability, and strength. The easy-on brackets are mounted to the desktop for easy assembly; requiring only two screws per leg for secure assembly. Includes a 1" adjustable leveling glide with a locking stop to provide stability on uneven floors.

Dimensions

Product dimensions: 03000- 29 1/2"d x 40"w x 21-30"h

03001- 29 1/2"d x 40"w x 15-24"h

Box dimensions: 31"d x 51"w x 3 1/8"h

Available Colors

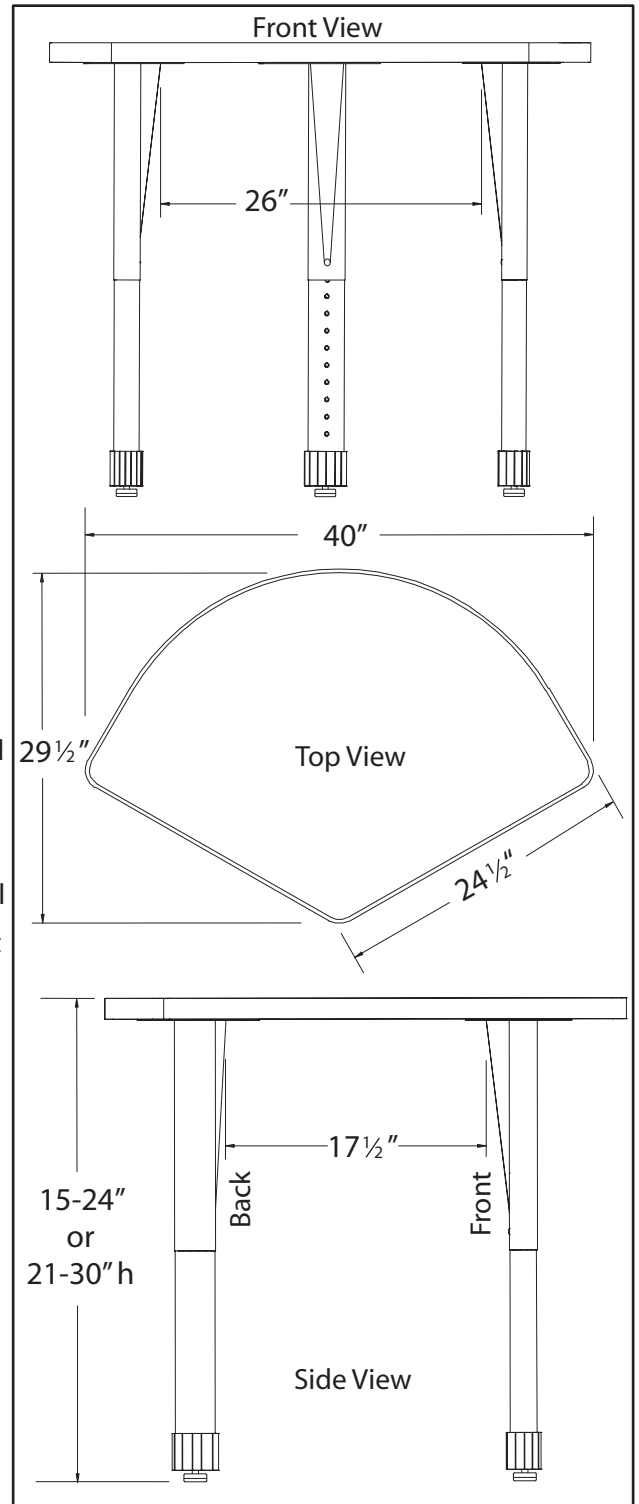
Cherry/Black/Black

Grey Nebula/Blueberry/Platinum

Golden Oak/Black/Black

Maple/Champagne/Champagne

Product Specifications



For more information call 1-800-328-1061 or email: furniture@smithsystem.com

Freight

Weight: 53-55 lbs.

Freight Class: 70

