

WING DESK W/ SWOOP

Model# 03097

Materials:

The Wing Desk is designed with 3 fully welded elliptical leg components. The top plates are 14 gauge steel, each welded to a 14 gauge 1" x 1" tube. A 16 gauge elliptical tube is welded to each top plate and each square tube for maximum durability. All three leg weldments and joined at the center by one connector bolt and nut pair. The entire assembly is fastened to the top with 12 fasteners. The pre-drilled top is standard at 3/4" thick for an ultra sleek profile, but is also available in 1-1/4" thick. All laminate and t-mold color and style options are available.

Compatibility:

The Wing Desk with Swoop is designed to work with any of Smith System's current seating options! Any chair from Smith System will fit on any of the 3 sides of the Wing Desk.

Dimensions:

- 30"d x 30"w x 22"-34"h - Assembled Unit
- Leg Set Box - 26" x 26" x 5"
- Box w/ Pre-drilled top - 30" x 30" x 3"

Freight:

- Weight: 40 lbs.
- Freight Class: 70
- Product is UPSable

Available Colors:

Leg sets available as Black or Platinum

Frame: Black or Platinum

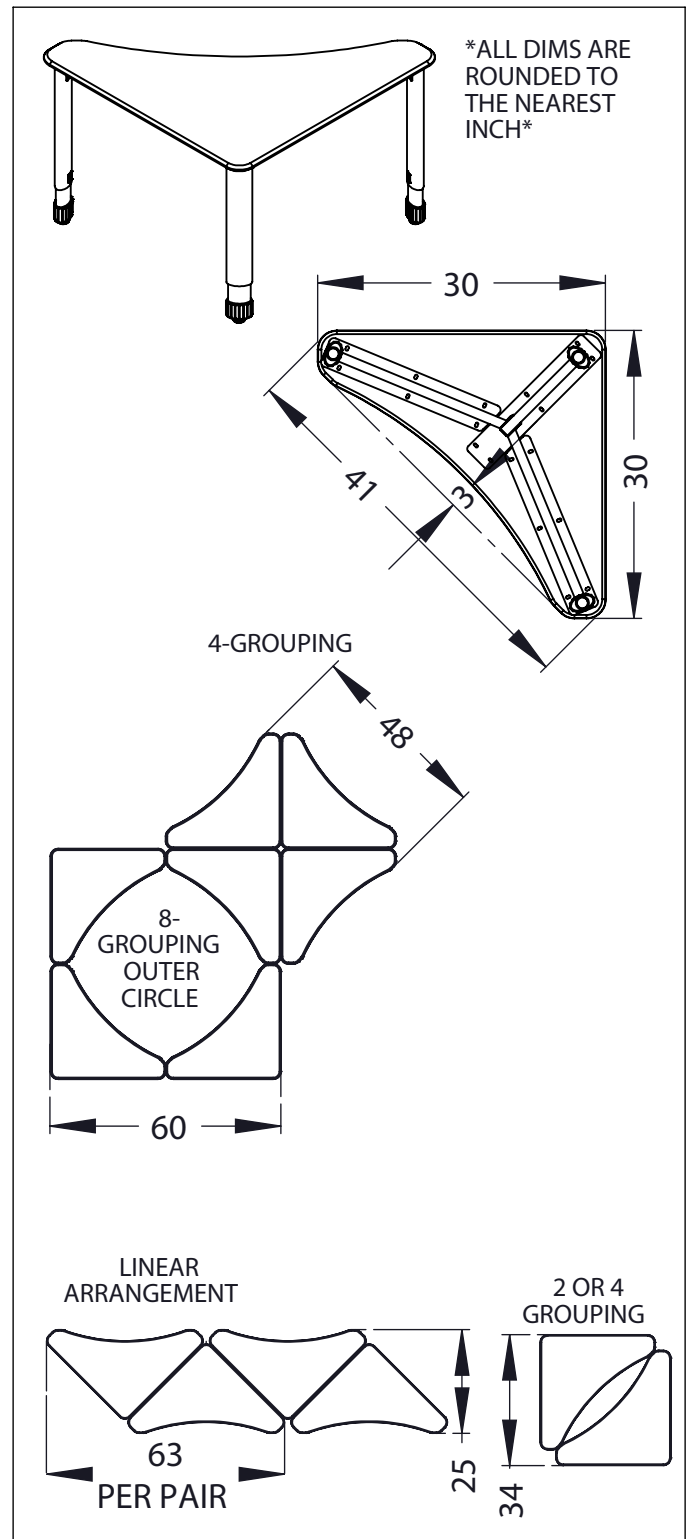
Laminate Colors:

Amber Cherry, Blond Echo, Fusion Maple, Golden Oak, Grey Mesh, Grey Nebula, New Age Oak, Pewter Mesh, Tan Echo, Wild Cherry.

(Smith System is proud to offer any Wilsonart 60 Series laminate at no up charge for orders of 20 or more)

Edge Colors:

Apple, Black, Blueberry, Burgundy, Cerulean, Champagne, Charcoal, Chocolate, Clementine, Forest Green, Fuchsia, Mint, Mocha, Navy, Persian Blue, Platinum, Purple, Red, White, Yellow.



For more information call (800) 328-1061
or e-mail: furniture@smithsystem.com

