

## PLANNER TEACHER DESK (SINGLE PED)

**Model# 24000 LEFT HAND**

**Model# 24001 RIGHT HAND**

The Single Ped Planner Teacher desk is our most robust and durable product yet. It's compact packaging, painless assembly, and durability and integrity are ideal features of a teacher suite product.

### Material

**Drawer Pedestal:** The Planner Teacher Desk has suspended single file drawer pedestal with all welded steel construction. Box and file have full extension steel ball bearing slides for complete access and quiet operation. Pedestal has single lock and full width flush pulls for easy use. File drawers have full height sides for hanging files.

**Tabletop:** Tabletop measures 1-1/4" thick with high-pressure laminate surface and radius corners. 45-lb high density particle board core with backer sheet. Tough 3/8"-thick bumper edge molding with horizontal radius for comfort is stapled in place every 8".

**Legs:** Post Leg end pairs are fully welded. Each pair is constructed of 1" x 2" 14-gauge cross support tube welded to 1"-square 14-gauge corner legs. Leg ends attach to drawer pedestal housing for rigidity. 1" adjustable leveling glides provide stability on uneven floors. Steel components have tough powder coat finish.

### Optional Accessories

PART #	DESCRIPTION
17353	FLAT PANEL MOUNT W/ SWIVEL ARM, CLAMP
17620	KEYBOARD TRAY
17342	CENTER DRAWER

### Dimensions

48"L x 30"D x 29"H

### Freight

BOX 1: LEG SET AND MODESTY PANEL, \_\_\_ LBS

BOX 2: TOP W/ PLATE PRE-ATTACHED, \_\_\_ LBS

BOX 3: DRAWER PED, ASSEMBLED, \_\_\_ LBS

### Available Colors

#### Laminate Colors:

Amber Cherry, Blond Echo, Fusion Maple, Golden Oak, Grey Mesh, Grey Nebula, New Age Oak, Pewter Mesh, Tan Echo, Wild Cherry.

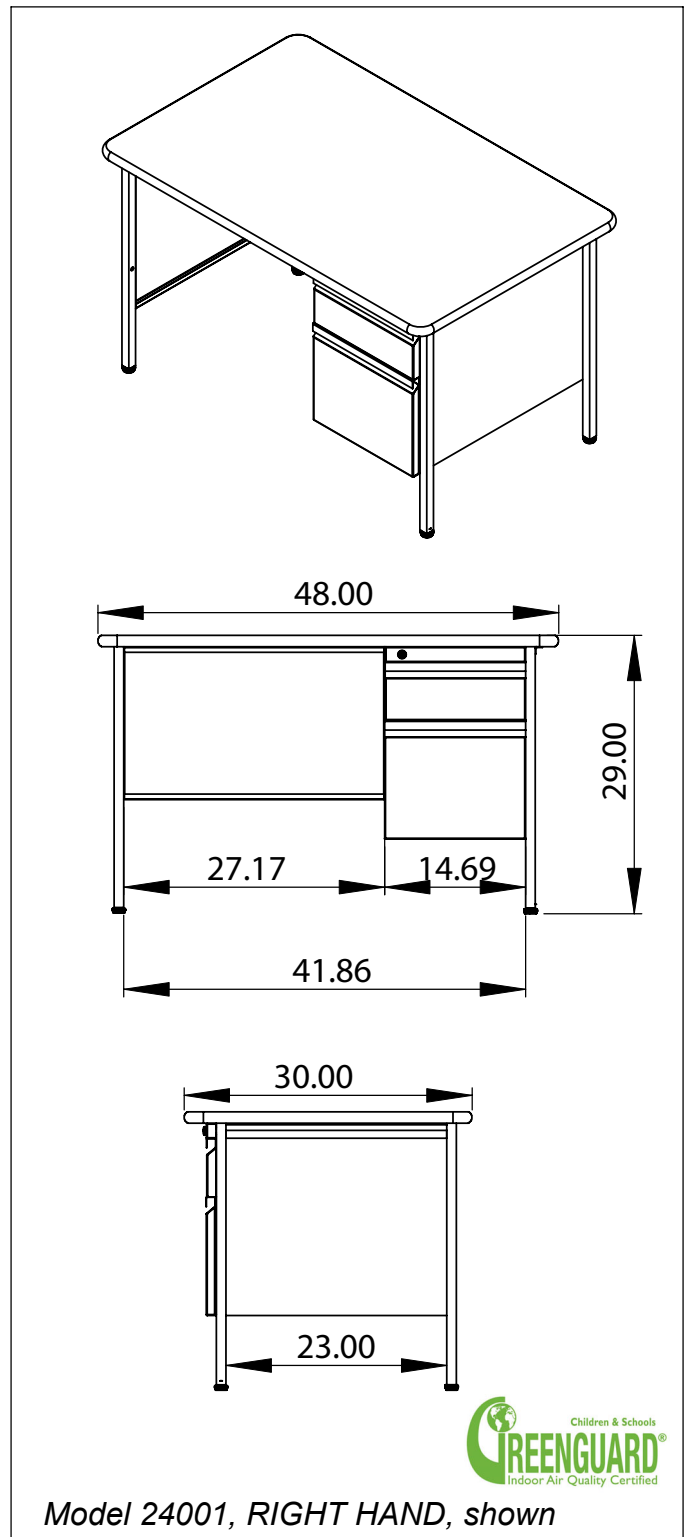
(Smith System is proud to offer any Wilsonart 60 Series laminate at no up charge for orders of 20 or more)

#### Edge Colors:

Apple, Black, Blueberry, Burgundy, Cerulean, Champagne, Charcoal, Chocolate, Clementine, Forest Green, Fuchsia, Mint, Mocha, Navy, Persian Blue, Platinum, Purple, Red, White, Yellow.

#### Frame Colors:

Black, Champagne, Navy or Platinum



For more information, call 1.800.328.1061 or email [furniture@smithsystem.com](mailto:furniture@smithsystem.com)