



Cascade Mid-Case with Totes

Model #30151-30154

*Cascade Mid-Case with (6) six 3" EW Totes & (2) two 6" EW Totes.

Materials:

The **End Panels** are made of 18 gauge 1" square tubing, welded flush to an 18 gauge end panel. The inside of each end panel is reinforced by 22 gauge hat channels. These hat channels are dual-purpose: added strength and for tote rail shelf mounting. The **Dome Top** is 18 gauge formed and welded construction, bolted to each end panel and rear panel with a total of 10 machine screw fasteners. The **Base** is a durable 18 gauge steel construction formed and welded to support the entire weight of the unit squarely. Underneath is a heavy welded hat channel for reinforcement. The base shelf is attached to both end panels using 4 machine screw fasteners. The **Rear Panel** is 18 gauge steel reinforced with up to three vertical hat channels. Two grommet holes (a lower and upper) are punched for convenient wire management and electronic storage. **Casters** are 4" in diameter, with 2 locking. **Optional glides** are 3/8" threaded stem.

The **ABS plastic Totes** can be used by teachers to organize class materials, often by subject or lesson, or a Tote can be assigned to an individual student. We recommend a storage cabinet in each classroom for quick access to items used in that day's or week's lesson. For added flexibility, the student desks can be outfitted with rails that hold a Tote. The 3" Totes can be used under selected desks; Silhouette, Planner Rectangles, Flexline Arc. Totes come in **five different sizes**. Three are 12 1/4" w x 3 3/8" d and 12" h. Two are 18 1/2" w x 3" d and 6" h. Combine any to achieve your perfect teaching curriculum storage.

Accessories/Options:

Riser Shelves are sized perfectly for each cabinet size. These riser shelves are made of 3/4" high density particle board with your choice of laminate and bullet T-Mold color. Shelf is suspended 6 inches above the dome top with 4 riser shelf handles, which measure 1 1/2" diameter and come in Platinum powder coat paint finish (0.03" Thickness). These riser shelf handles bolt on from underneath the dome top with a hefty 3" washer. The **optional doors** include a secure and reliable locking mechanism, which engages lock rods into the dome top and the base shelf. Doors also come with urethane ergonomic and modern door handles of your color choice. The fully hinged doors articulate 270 degrees, free of obstruction.

Freight: Dimensions:

Weight: 149 lbs. Product Dimensions: 19" d x 28 5/8" w x 30 7/16" h
 Freight Class: 125 Pallet Dimensions: 26" d x 34" w x 32" h

Available Colors:

(Smith System is proud to offer any Wilsonart 60 series laminate at no upcharge for orders of 20 or more)

Laminate Color:

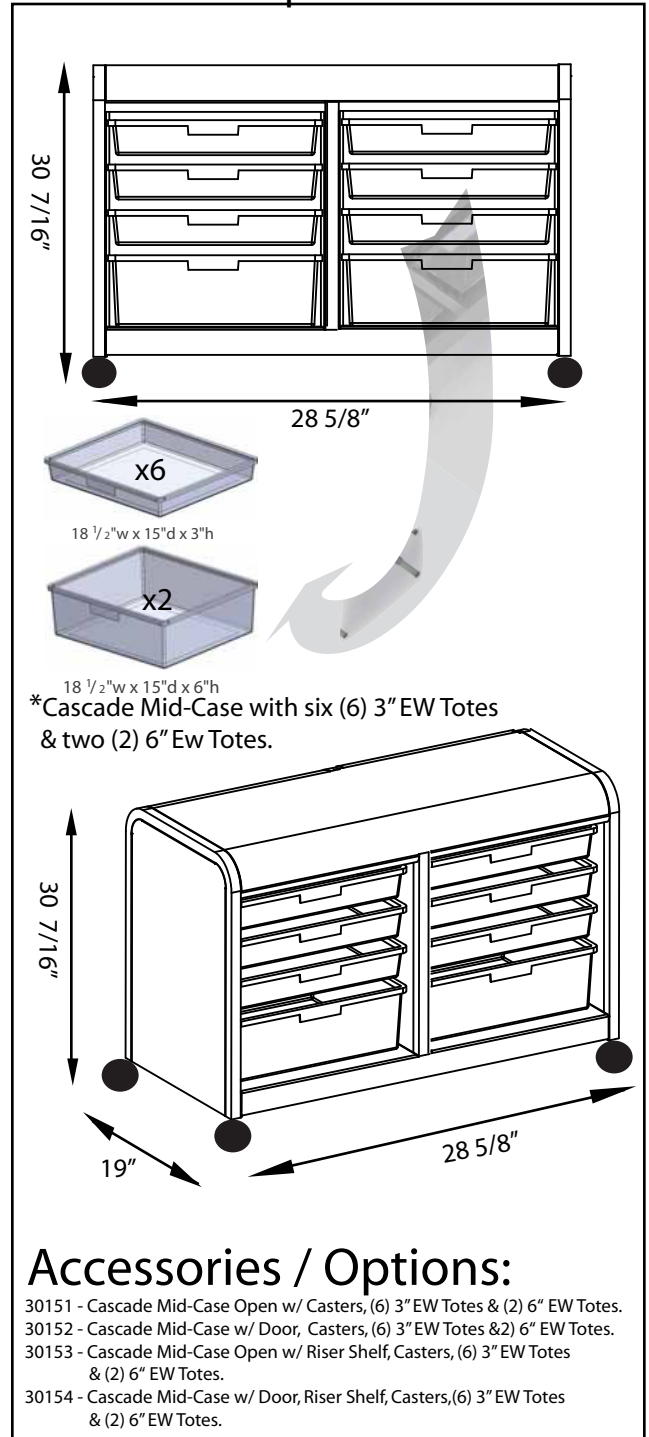
for Riser Shelf option

Amber Cherry, Blond Echo, Cherry, Grey Mesh, Grey Nebula, Golden Oak, Maple, New Age Oak, Pewter Mesh, Tan Echo.

End Panel Colors:

Apple, Black, Blueberry, Burgundy, Champagne, Chocolate, Clementine, Forest Green, Fuchsia, Mint, Navy, Persian Blue, Platinum, Purple, Red, White, Yellow.

Product Specifications:



For more information call (800) 328-1061 or e-mail: furniture@smithsystem.com

