



# Product Specifications

## Husky Chair

**Models 00805, 00806, 00807, 00808, 00809**

Here's a solid new look that features a comfortable seat that contains a compound curve and waterfall front edge allowing transition for leg without pressure points.

Qty: \_\_\_\_\_

Color: \_\_\_\_\_

### Material

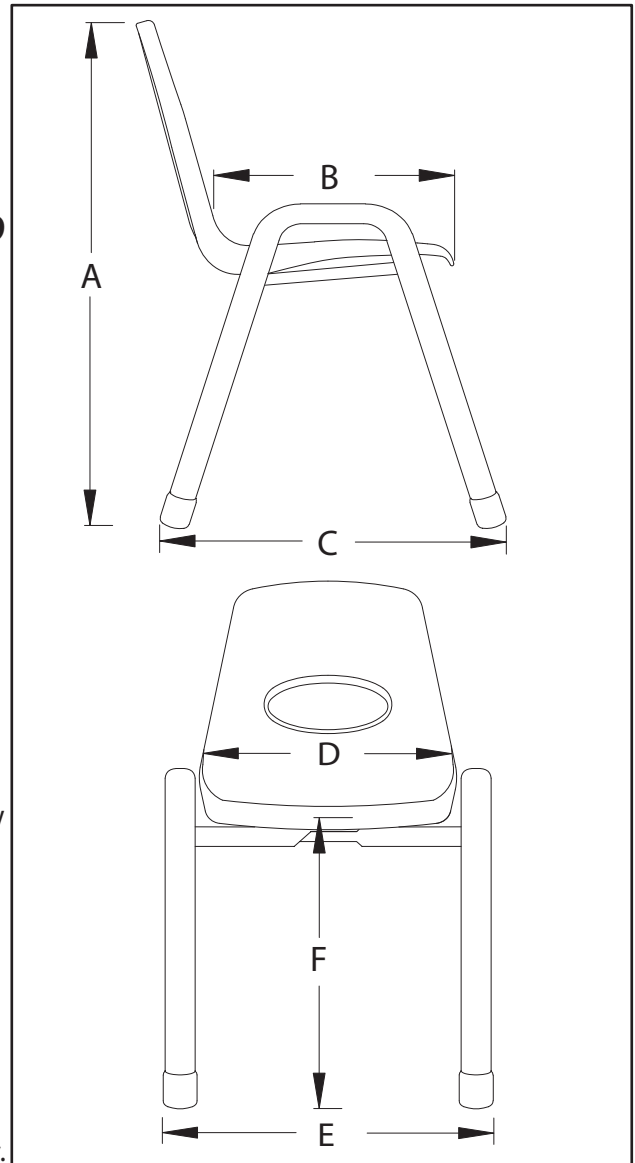
The Husky chair has a one piece shell made with virgin polypropylene with color throughout the material. The shell is lightly textured to reduce slipping and improve posture. The shell is narrow toward the top of the back to allow for shoulder to move freely.

The shell is attached to the frame at the seat base to allow flexibility. The attachment is hidden under the seat with no exposed rivets preventing snagging of clothing and hair. Frame legs are 18-gauge 1 1/2" diameter steel tubes. Cross braces are 18-gauge 1" diameter steel tubes. The frame is fully welded for maximum strength. The glide is a sock type that slides over the outside of the legs. This glide is made of a glass-filled nylon that assures durability.

The glide resists rust stains and scratches on tile floors plus each glide is color matched to the shell color. In addition, the frame is designed to allow stacking for up to six units.

### Dimensions

Model	Dimension						Leg Diameter
	A	B	C	D	E	F	
00805	29.75"	15.75"	21"	15.5"	18.5"	16.75"	1 1/2"
00806	27.63"	15.75"	19"	15.5"	18.25"	15"	1 1/2"
00807	23.25"	11.75"	18"	12"	15.63"	13.63"	1 1/2"
00808	21.13"	11.75"	16.75"	12"	15.63"	11.5"	1 1/2"
00809	19.13"	11.75"	15"	12"	15"	9.5"	1 1/2"



For more information call 1-800-328-1061 or email: [furniture@smithsystem.com](mailto:furniture@smithsystem.com)

### Available Colors

*\*All Frames will be a chrome finish.*

- Black
- Forest Green
- Blueberry
- Mint
- Burgundy
- Navy
- Clementine
- Purple
- Red

### Freight

Weight: 10-13 lbs.  
 Freight Class: 125  
 Product is UPSable.

