



Product Specifications

MODEL: 26541

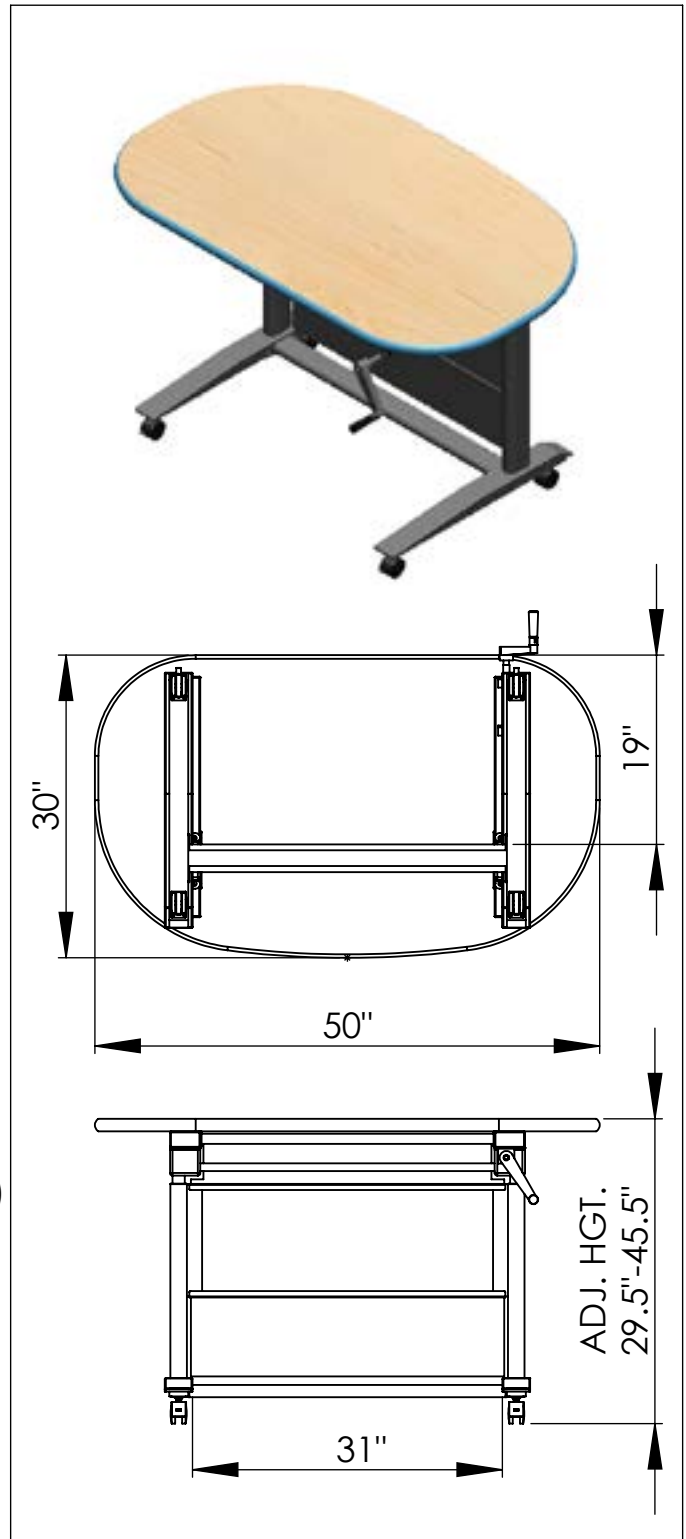
LIFT DESK

The Lift Desk is designed to meet the specific height requirements of students and teachers. The desk is designed to meet ADA specifications for those with special needs or disabilities. The removable hand crank allows easy height adjustment allowing the desk to be fit to the individual or used in multiple situations that would benefit from sitting or standing desk heights.

MATERIAL:

The work surface consists of a 45 lb density particle board core with a 0.030" high pressure laminated surface and a 0.020" backer sheet. The edge of the work surface features T-mold that is stapled to the underside of the work surface every 6" - 8". The pre-drilled top is standard at 1-1/4" thick and available in 3/4" thick option. Laminate and T-mold color and style options are listed below. Top is predrilled to attach legs using included fasteners.

The upper frame section consists of 16-gauge steel drive housings that are bolted to 1-5/8" x 3-1/8" 16-gauge steel box tubes, and welded to 1-1/4" x 2-3/4" 16 gauge elliptical steel tubes. The lower frame section consists of 1-3/8" x 2-7/8" 16-gauge elliptical steel tubes that are welded to 1-5/8" x 2-3/4" 16-gauge steel feet. Each leg is attached by a 1" x 2" cross brace, a 1-1/4" x 2-3/4" cross brace, and a 8" tall back panel. The crank handle is cast aluminium with a swivel grip that flips up when not in use. Crank handle can be removed or attached using the included screw. Includes both 2-1/2" plate casters and adjustable glides.



FREIGHT

Weight: 100 lbs.
Freight Class: 70

DIMENSIONS

30"D x 36"W x 29.5"-45.5"H (CASTERS)
30"D x 36"W x 27"-43"H (GLIDES)

AVAILABLE COLORS

Adjustable Height Desk Frame Color Choices



Adjustable Height Desk Laminate Color Choices



Adjustable Height Desk Edge Color Choices



For more information, call 1.800.328.1061
or email furniture@smithsystem.com

