

MODEL #04100 - 04129

Interchange Activity Tables

DESIGN:

The Interchange Activity Tables have a rejuvenated look with our Interchange Ellipse leg sets. The tables offer a stable work surface for the classroom. Interchange Activity tables match the look and style of Interchange student desks for a uniform look in the classroom.

MATERIALS:

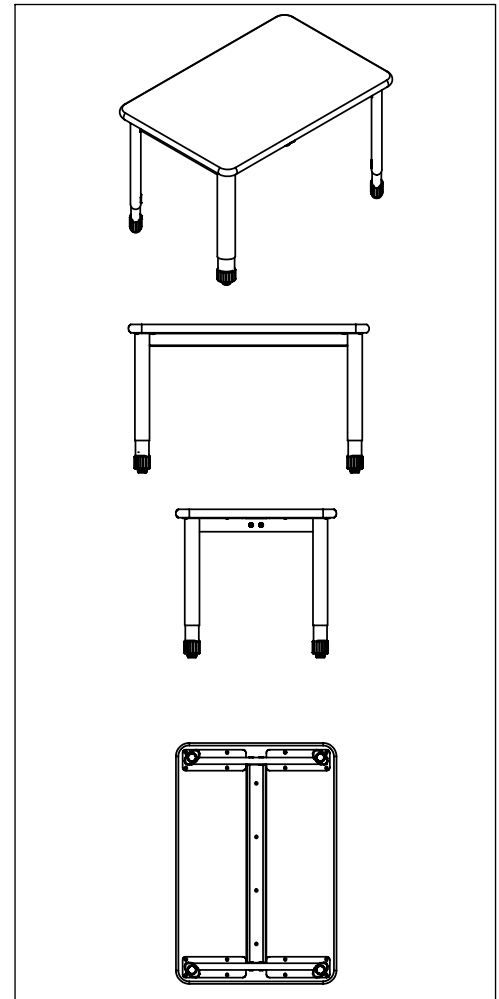
Leg sets are made in pairs, made of 16 gauge steel elliptical stems and inserts, 14 gauge cross brace and 12 gauge plates. Frame consists of two fully welded segments. Legs have a full, even and long lasting powdercoat finish. Ends are protected with a textured cap and securely captured leveling glide for fine tuning adjustment on uneven floors. Table height adjusts from 22" - 34" in 1" increments. Adjustment for each leg is secured by two 3/8" set screws.

The work surface is made of 1 1/4" thick, high density particle board core, double sided with a 0.030" high pressure laminate and bumper edge that is mechanically fastened every 6"-8". Tops are pre-drilled for leg set attachment and ease of installation. Tables and legs are supported by one or more 2" x 3" channels with four breakovers for optimum strength.

DIMENSIONS & FREIGHT: Product is NOT UPSable.

Model	Description	D"	W"	H"	F.C.	Cube	Wt.	UPS
04100 - 04129	Interchange Activity	x	x	22-34	70	x		

PRODUCT SPECIFICATIONS:



1 1/4" Tops

Interchange Tables Have Top and Edge Choices

CHOICE 1 - 1 1/4" top with Bumper T-Mold
no letter to follow Model No.

CHOICE 2 - 1 1/4" top with 3mm Edge
F to follow Model No. Rectangle only.

CHOICE 3 - 1 1/4" top with 4mm T-Mold
D to follow Model No.

3/4" Tops

CHOICE 4 - 3/4" top with 3mm Edge
E to follow Model No.

CHOICE 5 - 3/4" top with 4mm T-Mold
C to follow Model No. Rectangle only.

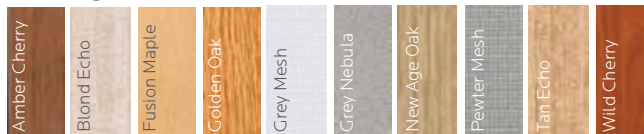
CHOICE 6 - 3/4" top with Bullet T-Mold
V to follow Model No.

AVAILABLE COLORS:

Interchange
Frame Color Choice



Interchange Laminate Color Choice



Interchange Desk Color Choice

