

# uxl corner table



- UXL Tables are standard with a 3/4" Bullet T-Mold top and fixed-height legs (FL).

model #: XL5STR\_---\_PLTFL

## uxl corner table

### DIMENSIONS + FREIGHT:

MODEL #	D"	W"	H"	F.C.	CUBE	WEIGHT
XL5STR	30"	48"	29.5"	70	2.1	90 lbs.
carton	48"	48"	6.63"			

### OVERVIEW:

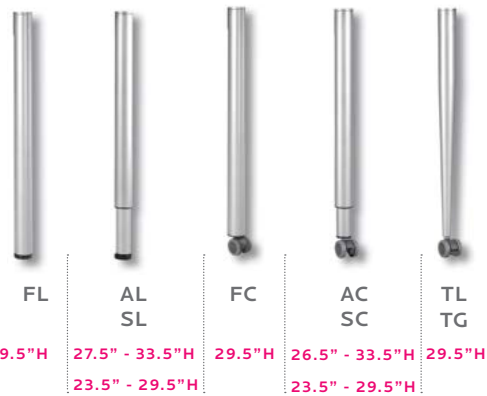
The UXL line offers high schools and colleges a complete, integrated system for outfitting the entire school, from classrooms to commons.

### MATERIALS:

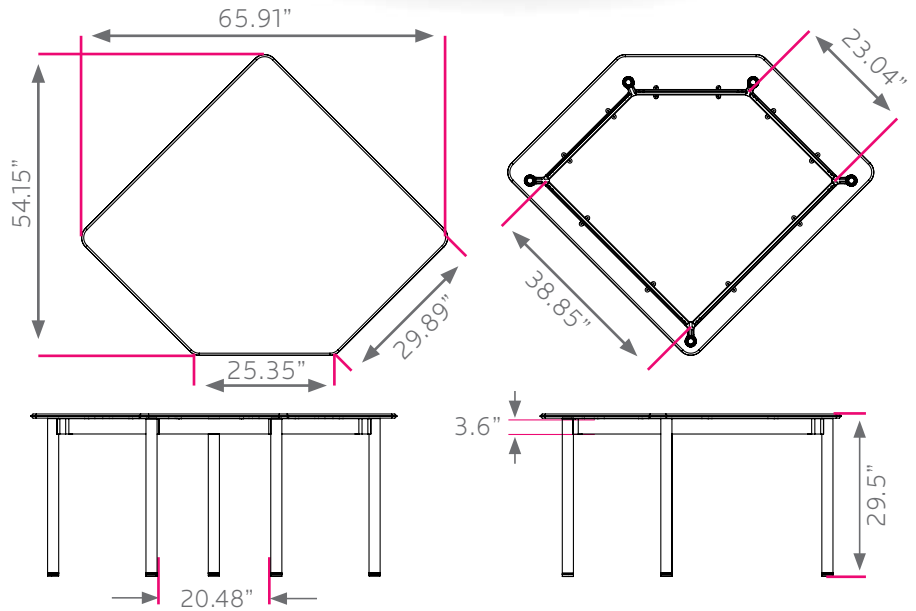
The 3/4" or 1 1/4" thick **WORK SURFACE** consists of a 45 lb density particle board core with a 0.030" high pressure laminated surface and a 0.020" melamine backer sheet. The edge of the work surface features edge molding that is mechanically fastened to the underside of the work surface every 6 to 8 inches to assure a long lasting fit.

The frame is attached to the pre-drilled holes in the top with #10 x 5/8" screws. The legs then fasten into the frame at each corner. The frame comes fully assembled requiring only two bolts per leg to complete installation. The table frame is a boxed tube design made of aircraft grade aluminum to reduce weight, while being very stable and sturdy. The 16-gauge steel legs are 2" diameter and powder coated for a long lasting durable finish. Legs are available in different configurations, see chart.

### UXL LEG OPTIONS



### UXL TOP & EDGE PROFILE



### FRAME

- PLATINUM **PLT**

### EDGE CHOICES

- |                      |                         |                         |                     |
|----------------------|-------------------------|-------------------------|---------------------|
| ● APPLE <b>A</b>     | ● CHAMPAGNE <b>O</b>    | ● FUCHSIA <b>G</b>      | ● PURPLE <b>K</b>   |
| ● BLACK <b>B</b>     | ● CHARCOAL <b>R</b>     | ● MINT <b>H</b>         | ● RED <b>L</b>      |
| ● BLUEBERRY <b>C</b> | ● CHOCOLATE <b>Q</b>    | ● MOCHA <b>T</b>        | ○ WHITE <b>M</b>    |
| ● BURGUNDY <b>D</b>  | ● CLEMENTINE <b>E</b>   | ● NAVY <b>I</b>         | ● YELLOW <b>N</b>   |
| ● CERULEAN <b>S</b>  | ● FOREST GREEN <b>F</b> | ● PERSIAN BLUE <b>J</b> | ● PLATINUM <b>P</b> |
| ● ORANGE <b>U</b>    |                         |                         |                     |

### LAMINATE CHOICES

- |                           |                          |                          |
|---------------------------|--------------------------|--------------------------|
| ● AMBER CHERRY <b>AME</b> | ● GOLDEN OAK <b>GOK</b>  | ● PEWTER MESH <b>PEW</b> |
| ● ASIAN NIGHT <b>ANG</b>  | ● GREY MESH <b>GRE</b>   | ● TAN ECHO <b>TAC</b>    |
| ● BLOND ECHO <b>BEE</b>   | ● GREY NEBULA <b>GNB</b> | ● WILD CHERRY <b>CHE</b> |
| ● FUSION MAPLE <b>MAP</b> | ● NEW AGE OAK <b>NEW</b> |                          |

Choose MODEL **7 8 9 10** **PLT** **FL**

Pick Laminate Color

Pick Edge Color

Fixed-height (FL) leg set is standard. See page 99 to order optional leg sets.