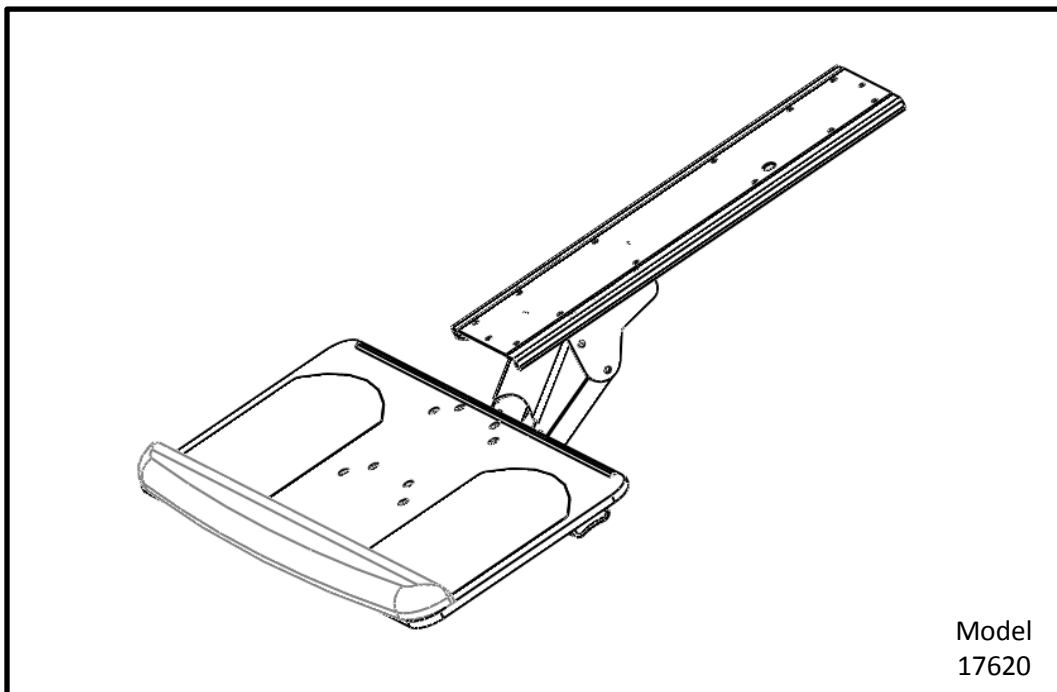




# SMITH SYSTEM

Furniture for inspired learning.

## Adjustable Keyboard Assembly Instructions



SMITH SYSTEM



For Assistance in assembling product, missing or damaged parts,  
or to place an order, please contact customer service at 800-328-1061

You may also place your order online at

[www.smithsystem.com](http://www.smithsystem.com)

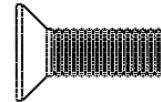
## Hardware and Components



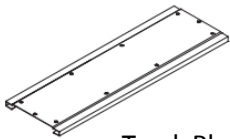
5/8" Wood Screw  
P/N: 70080  
(QTY: 12)



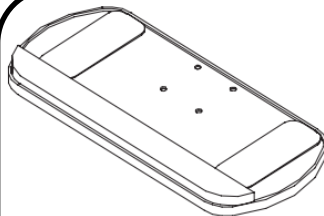
M5 Hex Nut  
(QTY: 4)



M5x13mm Machine Screw  
P/N:  
(QTY: 4)

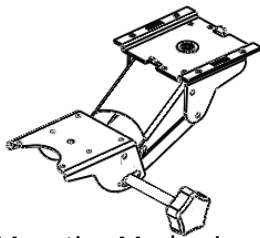
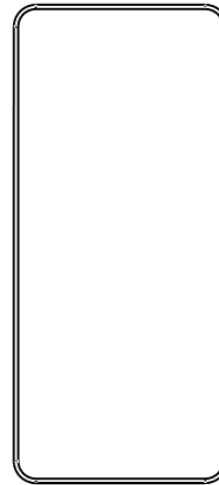


Track Plate  
(QTY: 1)



Mounting Board  
(QTY: 1)

Table Top  
(QTY: 1)



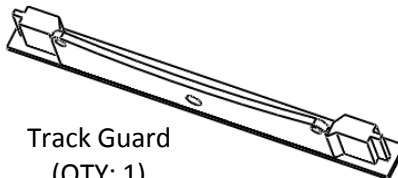
Mounting Mechanism  
(QTY: 1)



Bumper  
(QTY: 4)



Foam Pad  
(QTY: 4)



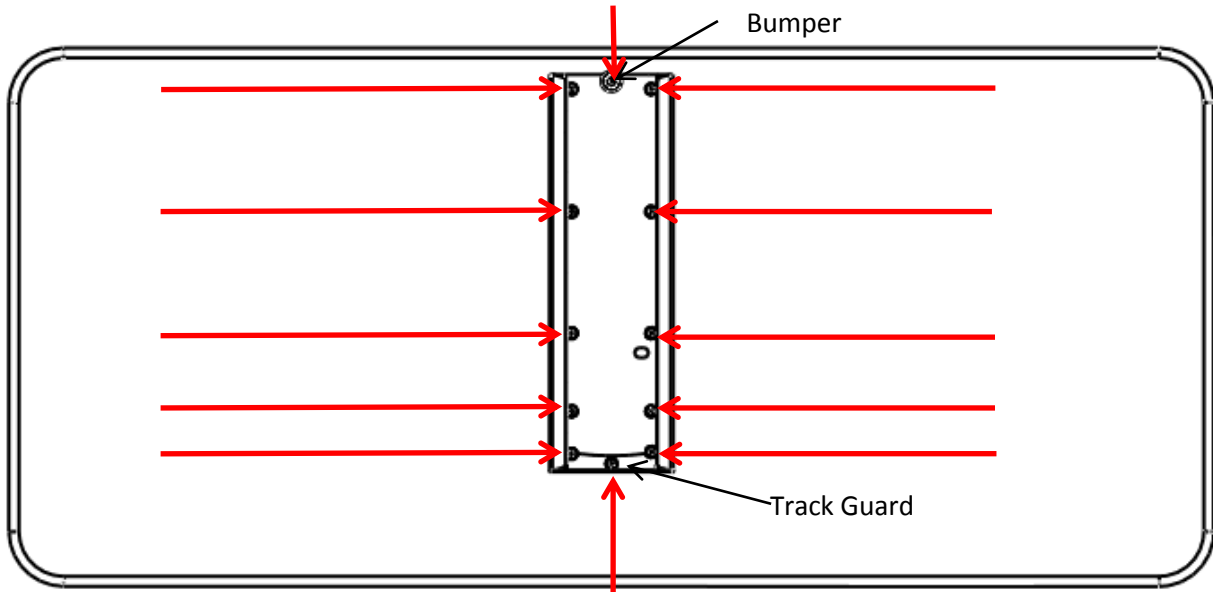
Track Guard  
(QTY: 1)

For Assistance in assembling product, missing or damaged parts,  
or to place an order, please contact customer service at 800-328-1061  
You may also place your order online at

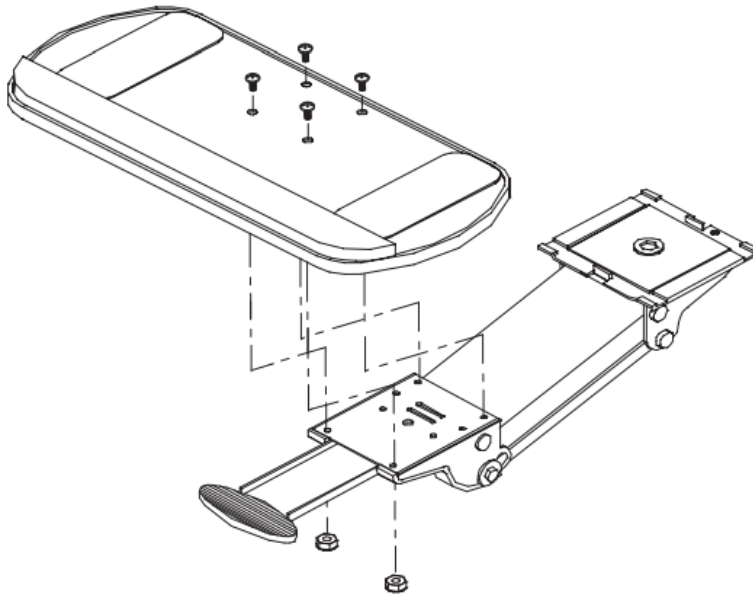
[www.smithsystem.com](http://www.smithsystem.com)

## Assembly Instructions

**Step 1:** Slide the Track guard inside the track plate on one end. Attach track plate to top using (12) 5/8" wood screws (See Picture 1). Make sure the Bumper is under the screw closest to the edge of the top. The Track Guard is placed under the 3 furthest screws from the edge (Reference Picture 1). Keep the Track plate at least 3/4" from the edge of the table.

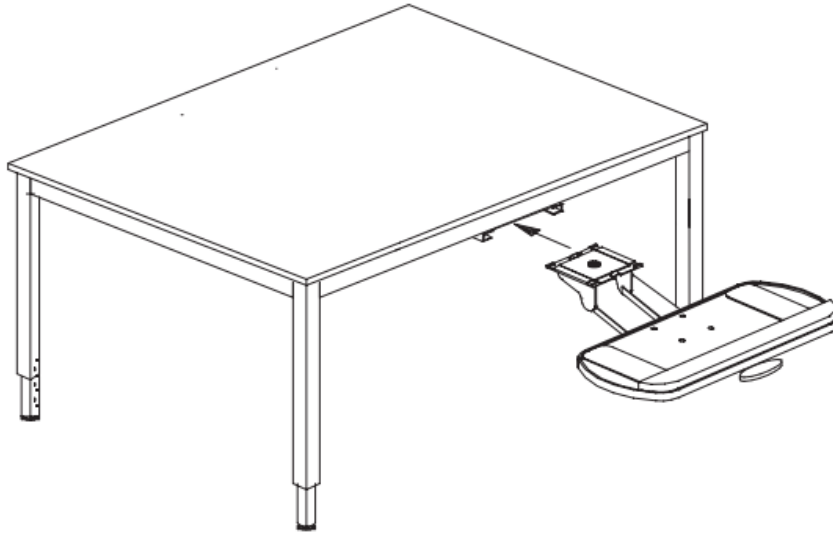


**Step 2:** Using (2) of the (4) machine screws, assemble the keyboard platform to the two threaded (rear) holes of the mechanism tray. Next, use the remaining (2) machine screws and (2) hex nuts to finish fastening the platform to the keyboard mechanism.



For Assistance in assembling product, missing or damaged parts,  
or to place an order, please contact customer service at 800-328-1061  
You may also place your order online at  
[www.smithsystem.com](http://www.smithsystem.com)

**Step 3:** Remove the screw holding the bumper on. Gently slide the rear of the keyboard mechanism into the track. (The rear is assembled with (4) white plastic slides.) When sliding the mechanism into the track, be careful not to disengage the four nylon plastic slides. Reattach the Bumper.



**NOTE:** If the plastic slides become disengaged, it is essential that they be snapped back into place. To do so, simply place the mechanism upside down on a hard surface with the four plastic slides being position flat on the floor. Apply equal downward pressure directly to the slide until you hear the slide snap together.

For Assistance in assembling product, missing or damaged parts,  
or to place an order, please contact customer service at 800-328-1061  
You may also place your order online at  
[www.smithsystem.com](http://www.smithsystem.com)