

surface power modules

model #: 017086 & 017093

surface power modules:
4 power or 2 power + 4 USB

DIMENSIONS + FREIGHT:

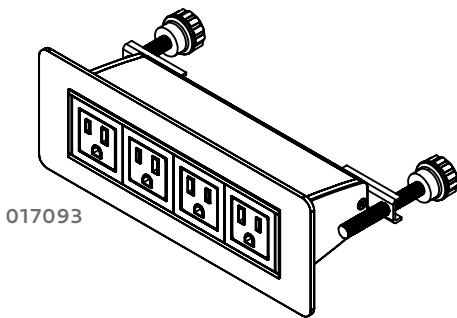
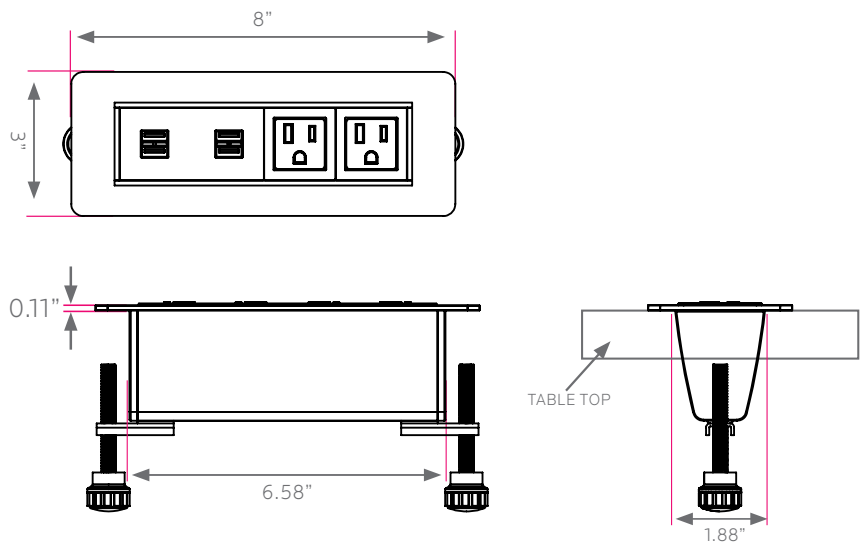
MODEL #	D"	W"	H"	F.C.	CUBE	WEIGHT
017086 4 USB / 2 power	3"	8"	0.11"	70	0.9	4 lbs.
017093 4 power	3"	8"	0.11"	70	0.9	4 lbs.

OVERVIEW:

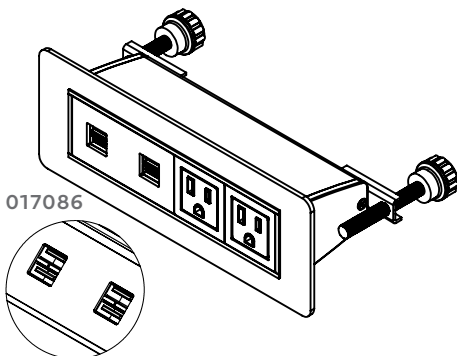
The 017086 and 017093 power modules are mounted in the work surface. Available with four power outlets in model 017093 or with two power outlets and four USB charging ports in model 017086.

MATERIALS:

The power module features water-proof simplex outlets and can be mounted parallel to any work surface. The unit is UL listed with a standard 10 ft. 15 Amp power cord. The USB-A charging ports share a total of 1000 mA per pair, which allows charging of cell phones, tablets, e-readers, audio players and other devices that can be charged by USB. The power module is installed in a 2" x 6 3/4" cutout in the work surface and secured using two 5/16-18" thumb screws on each side of the housing. The unit is constructed of durable anodized aluminum and laser-cut steel, fits in both 3/4" and 1 1/4" thick tops.



017093



017086

POWER MODULE FINISH

- SILVER