

dome power module

model #: 017088

power dome, 4 power outlets

DIMENSIONS + FREIGHT:

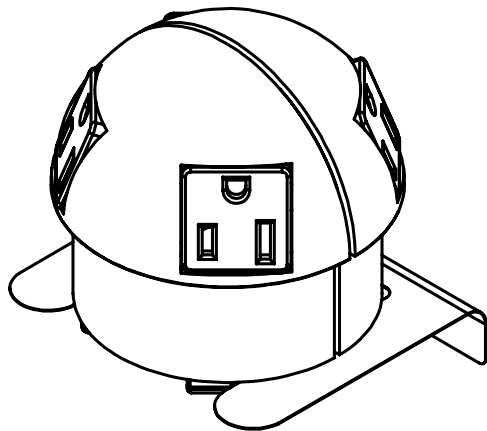
MODEL #	D"	W"	H"	F.C.	CUBE	WEIGHT
017088 4 power dome	3.5"	3.56"	3.86"	70	0.9	4 lbs.

OVERVIEW:

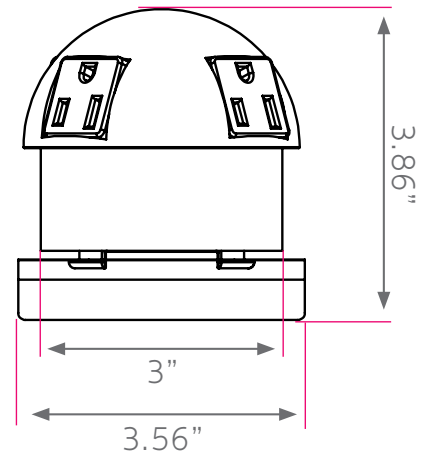
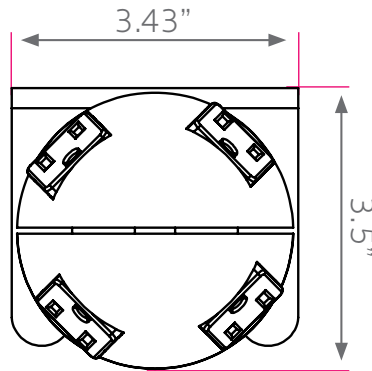
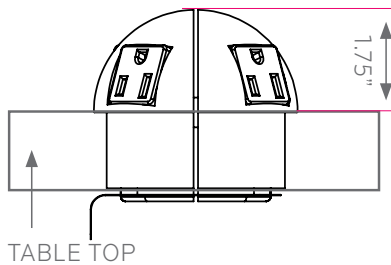
The 017088 dome power module is mounted in the work surface and features four simplex power outlets for powering up in any gathering space. Install in a variety of Smith System desks and tables to create a powered common or learning space.

MATERIALS:

The power module is UL listed and CSA certified with two 10 ft 15 amp power cords. The power dome unit is installed in a 3" diameter cutout in the work surface (location of customer's choice, please specify) and secured using a steel clip. The housing is constructed of durable plastic and fits in 1 1/4" thick tops.



017088



POWER MODULE FINISH

- BLACK