

flat panel mount w/ tilt

model #: 17350



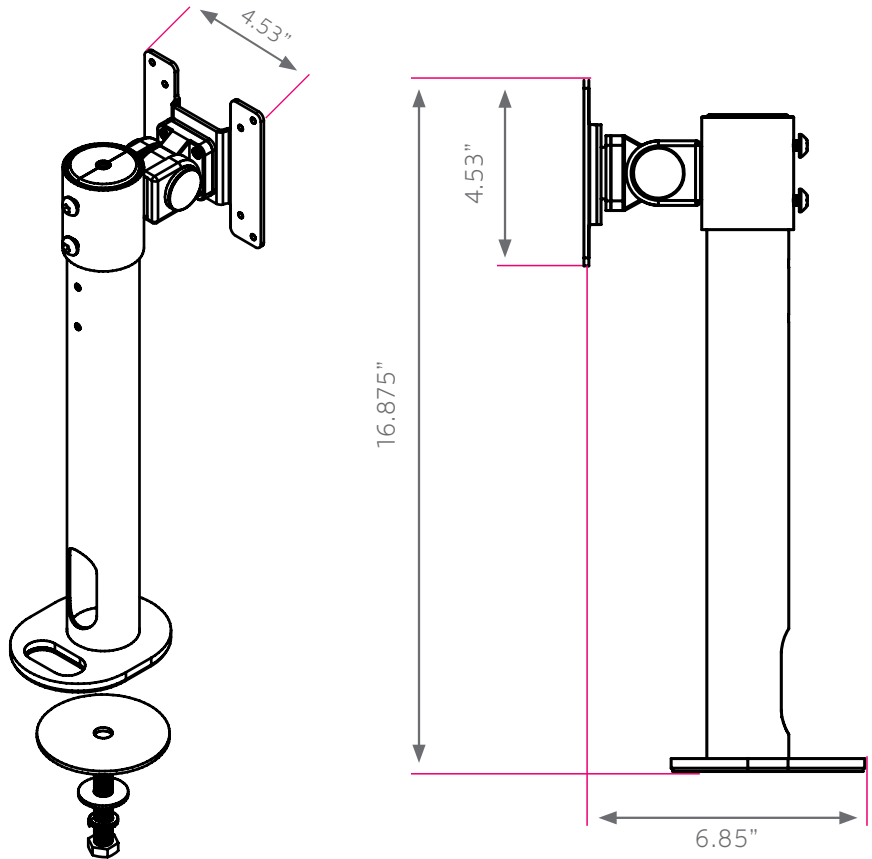
OVERVIEW:

This flat panel monitor mounts secure to your desk without occupying usable desk space needed for keyboards or other documents. The tilt feature helps adjust the monitor for viewing angle -- tilt back for taller users or tilt forward for smaller users.

The dimensions of the monitor mount measure approximately 16.875" in height, 4.5" in width and 6.85" deep. The construction is 12-gauge cold-rolled steel with a mounting plate that is 11-gauge with standard hole patterns, VESA compliant. The mount is intended for 15", 17" and 19" flat panel monitors. This item can be mounted anywhere on the desk as long as there is enough clearance under the table for the 3.66" diameter washer.

DIMENSIONS:

MODEL #	D"	W"	H"	WEIGHT
17350	6.85"	4.5"	16.875"	6 lbs.
carton	5"	7.5"	17.5"	



frame
COLORS



platinum