

ASSEMBLY INSTRUCTIONS

PLANNER™

BREAKAWAY PENINSULA

Planner Breakaway Peninsula

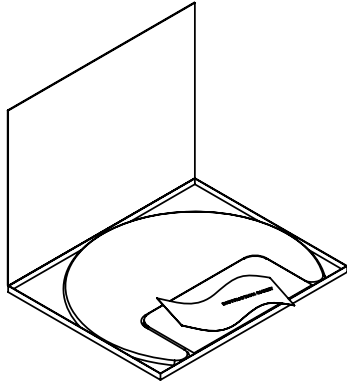
26000 Planner Breakaway Peninsula



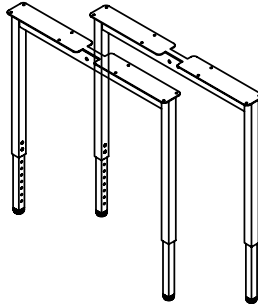
*For assistance in assembling product, missing or damaged parts,
or to place an order, please contact Customer Service at 800-328-1061.*



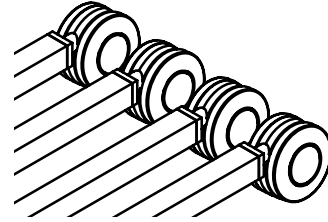
HARDWARE AND COMPONENTS



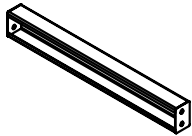
**P/N #26000:
BREAKAWAY
PENINSULA TOP KIT**



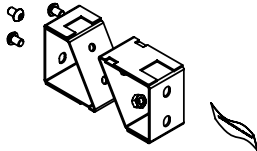
**P/N #77500:
PLANNER LEG SET
WITH HARDWARE**



**P/N #17553:
3" DUAL-WHEEL
CASTER PACK**



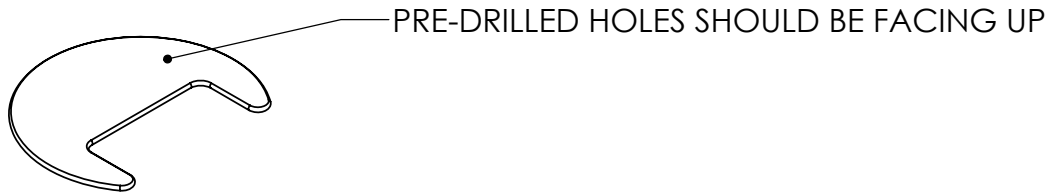
**P/N #77505:
23.75"
SUPPORT CHANNEL**



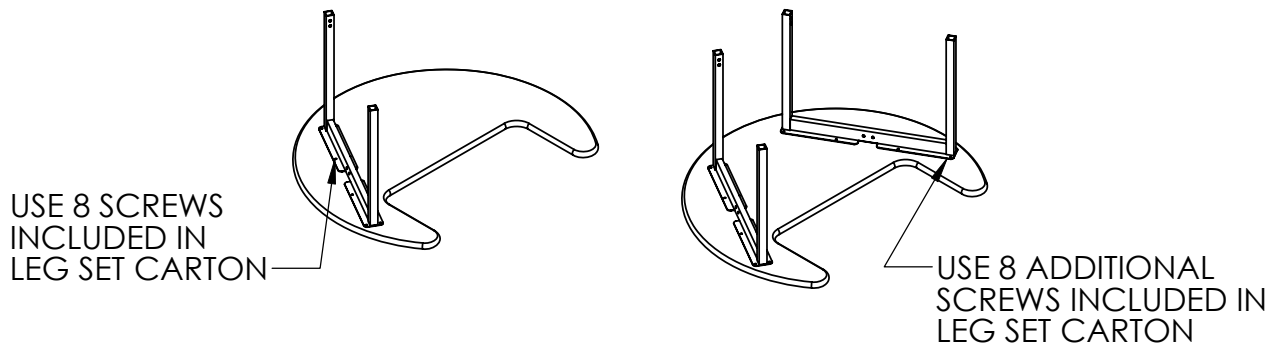
**P/N #77513:
PLANNER ACTIVITY
'TRAP BRACKETS'**

ASSEMBLY INSTRUCTIONS

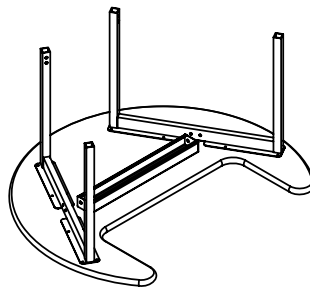
STEP 1: Lay the top upside down (laminated side down). You should see the pre-drilled holes.



STEP 2: Loosely attach each leg to the top using the screws included in the leg set carton. Align the slots on the top plate of the leg to the pre-drilled holes in the top. Do not tighten the screws – you will do that as one of the final steps.



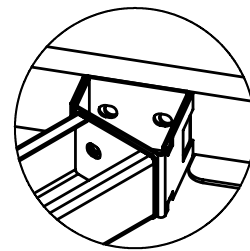
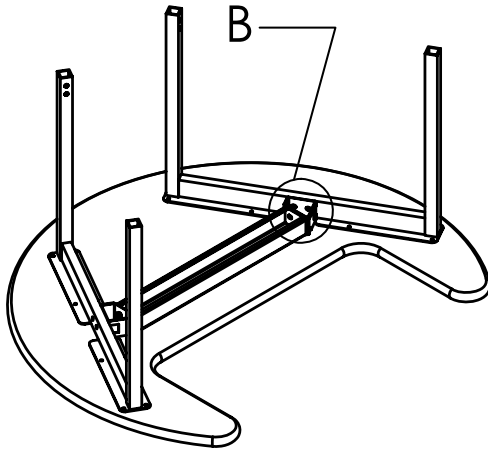
STEP 3: Loosely attach the support channel to the top using the screws included in the leg set carton. Align the holes of the channel to the predrilled holes in the top. Do not tighten the screws – you will do that as on of the final steps.



ASSEMBLY INSTRUCTIONS

STEP 5: Attach the trap brackets to the channel.

**Instructions for the trap bracket are included in it's carton.*



DETAIL B
SCALE 1 : 8

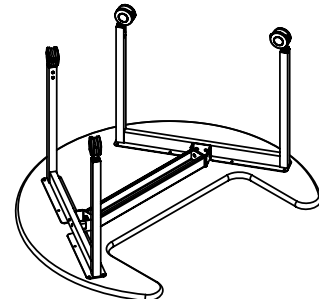
STEP 6: Use the connector bolts to attach each leg to the trap brackets.

**(Connector bolts are included in the hardware pack in the leg set carton).*

STEP 7: Tighten all of the screws and connector bolts in your assembly.

STEP 8: Insert the caster in each leg, fasten with included wrench.

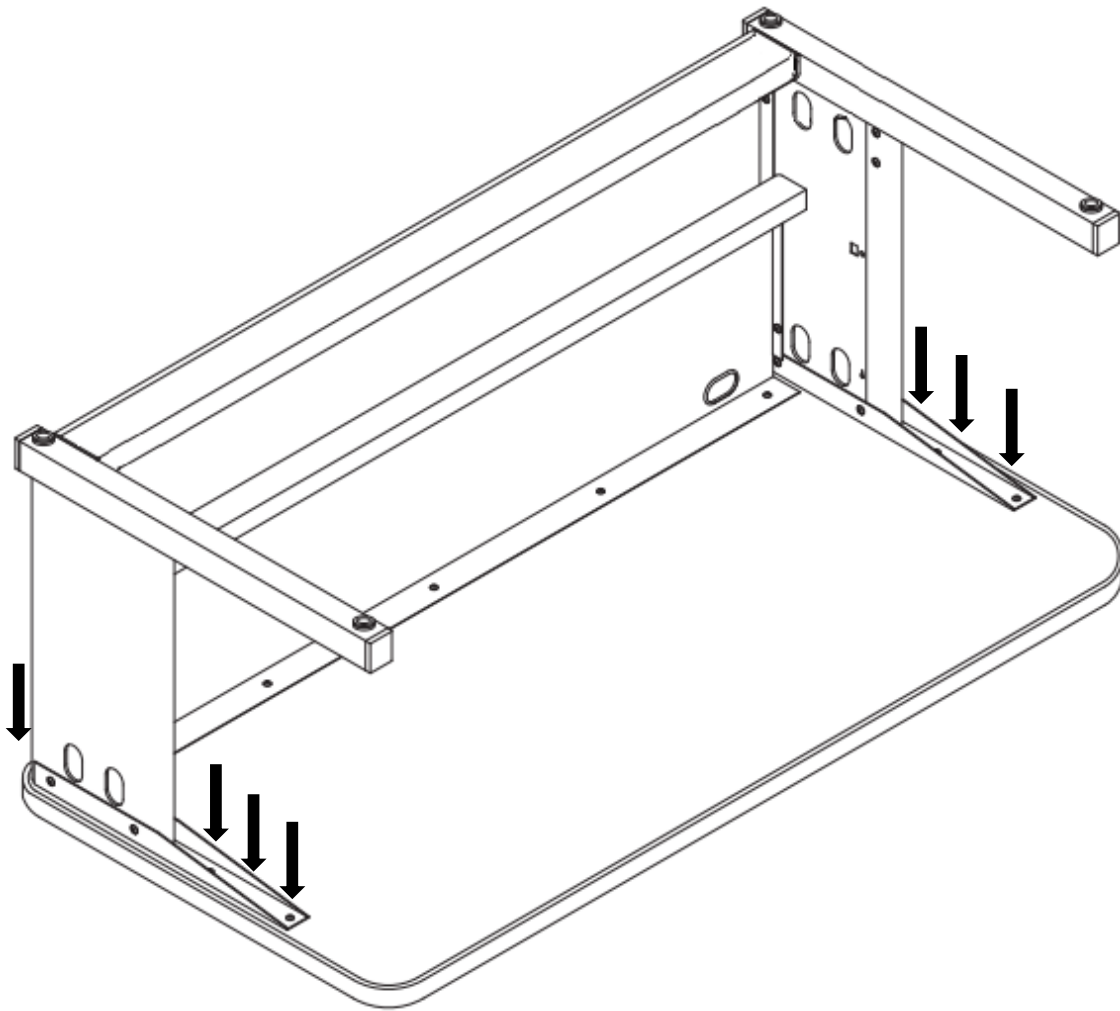
**(wrench included with caster pack).*



STEP 9: With the help of another person, flip the table right side up and assembly is complete.

ASSEMBLY INSTRUCTIONS

STEP 5: Attach the brackets to the top using (8) #10 wood screws, by first aligning the brackets with the predrilled holes in the top.



STEP 6: With the help of another person, flip the desk back into its upright position. Your desk is now ready for use. Enjoy!