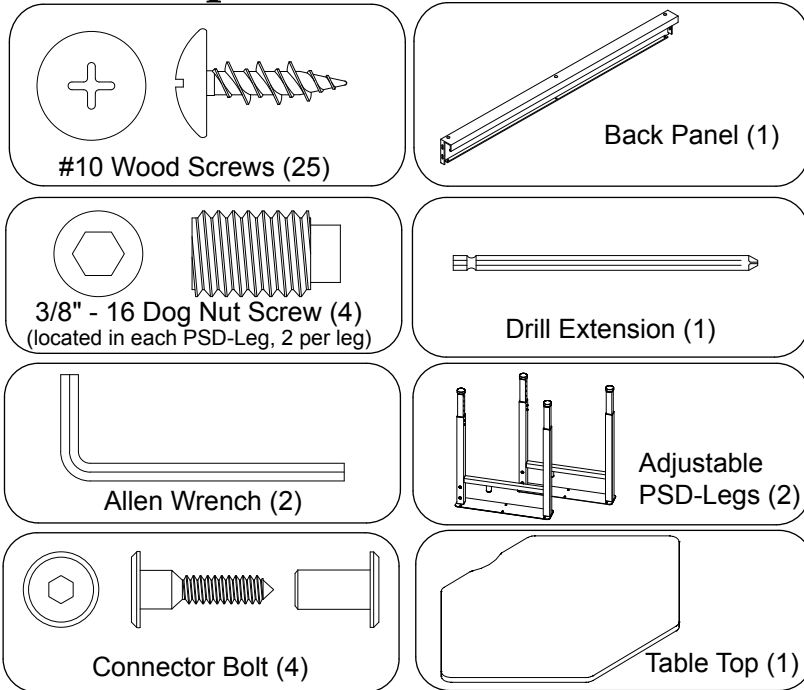




Corner Planner Lab Quick Installation Guide

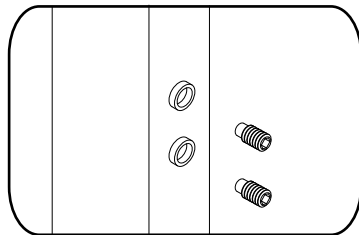
Model 24600 Instructions

Required for Installation

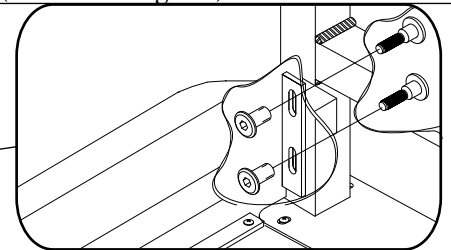
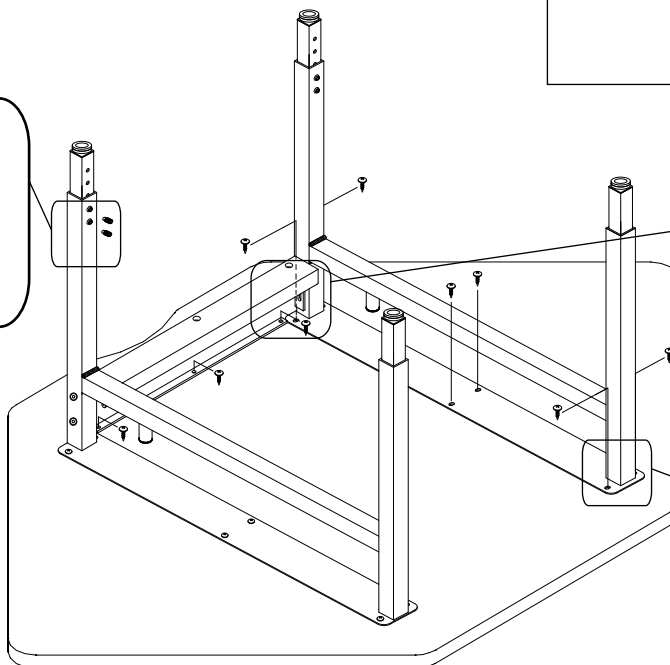


- Step 1. Place table top on a smooth clean surface laminate face down.
- Step 2. Loosely attach the back panel to the legs using the (4) connector bolts and Allen wrench provided. (Finger Tight) (See drawing 1B)
- Step 3. Align the legs to the pilot holes on the table top and use (12) #10 wood screws to loosely attach the legs to top. (See Drawing 1A).
- Step 4. Now loosely attach the panel to the table top by using (3) #10 wood screws and supplied drill bit extension.
- Step 5. Now go back to step 2-4 and tighten all screws to secure the legs to the table top. Using the extended drill bit secure the back panel to the top. Tighten connector bolts
DO NOT OVER TORQUE SCREWS!
- Step 6. Once the legs are securely attached adjust the legs to the desired height using the Allen Wrench provided. (See Drawing 1C).

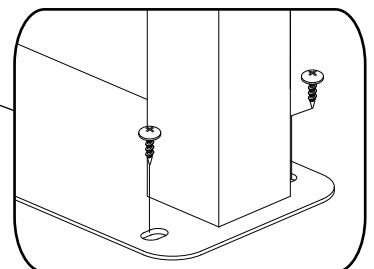
Drawing 1A



Drawing 1C



Drawing 1B



Drawing 1A

