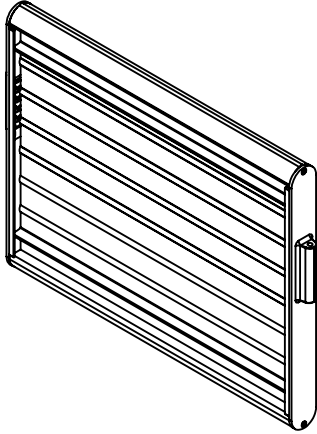


DESK FENCE INSTRUCTION SHEET

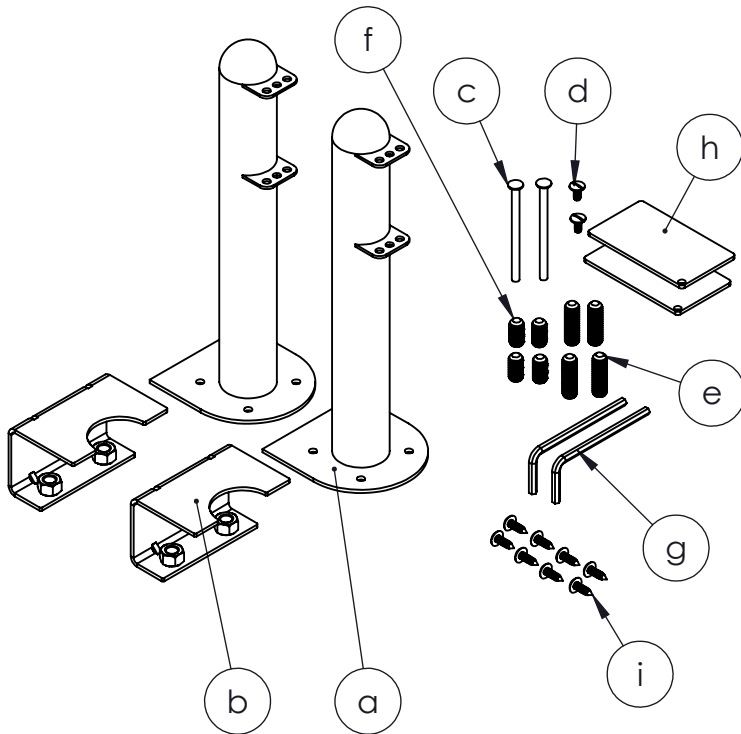
PARTS LIST



PART NUMBER: 001700

DESK FENCE SCREEN SUB-ASSEMBLY

QTY PER UNIT: 1



PART NUMBER: 001725

DESK FENCE POLE KIT WITH HARDWARE

QTY PER UNIT: 1

Contents of Desk Fence Pole Kit with Hardware:

- a. 2 Pole Weldments
- b. 2 Clamps w/ Weldnuts
- c. 2 Binding Posts
- d. 2 Binding Post Screws
- e. 4 Long Set Screws
- f. 4 Short Set Screws
- g. 2 Hex Keys (Allen Keys)
- h. 2 Spanner Plates
- i. 8 Screws



If you have damaged or missing components please contact customer service.

800-328-1061

www.smithsystem.com

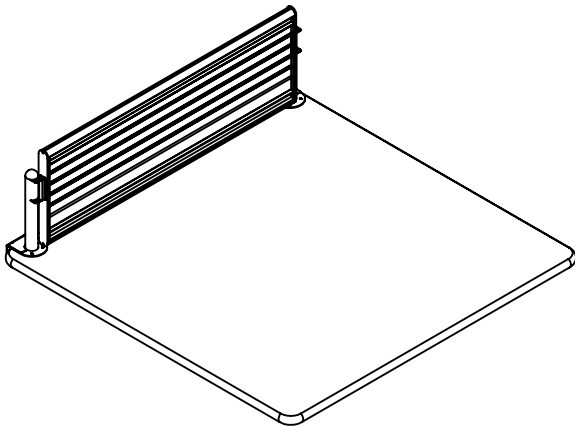
AUG 2011

CONFIGURATIONS

EDGE-MOUNTED

Creates a barrier along the back edge or side edge of the desk

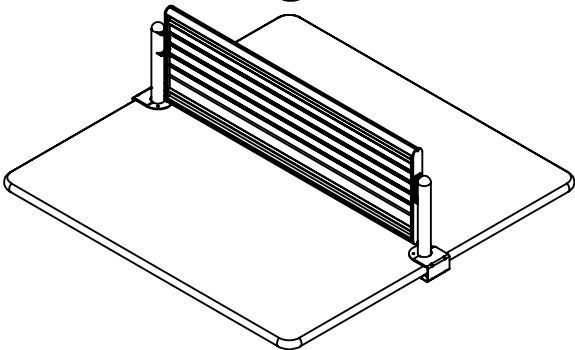
use inner mounting holes of pole tabs
Clamps are optional



HALF-MOUNTED

Creates a barrier along the center of the desk, creating two separate workspaces.

use center mounting holes of pole tabs
Clamps are optional

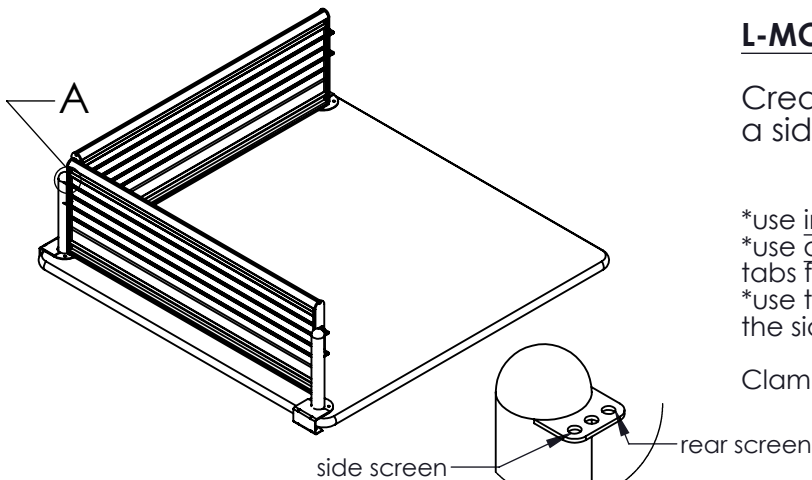


L-MOUNTED (qty 2 units req'd)

Creates a barrier along the rear edge and a side edge to create a "carrel" effect.

use inner mounting holes of pole tabs for the rear screen
*use outer mounting hole of the corner "shared" pole tabs for the side screen (See Detail A)
*use the inner mounting hole of the front pole for the side screen

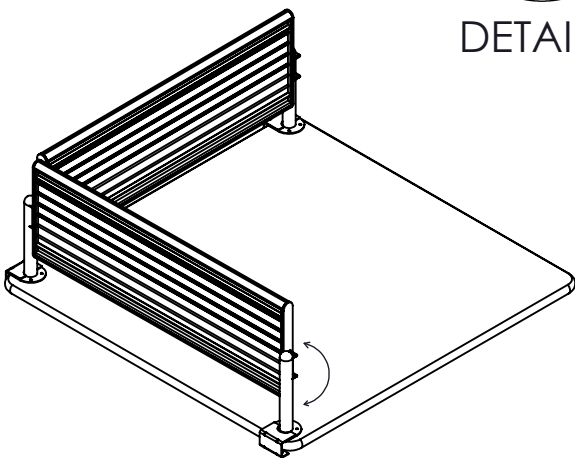
Clamps are optional



DETAIL A

TALL-MOUNTED

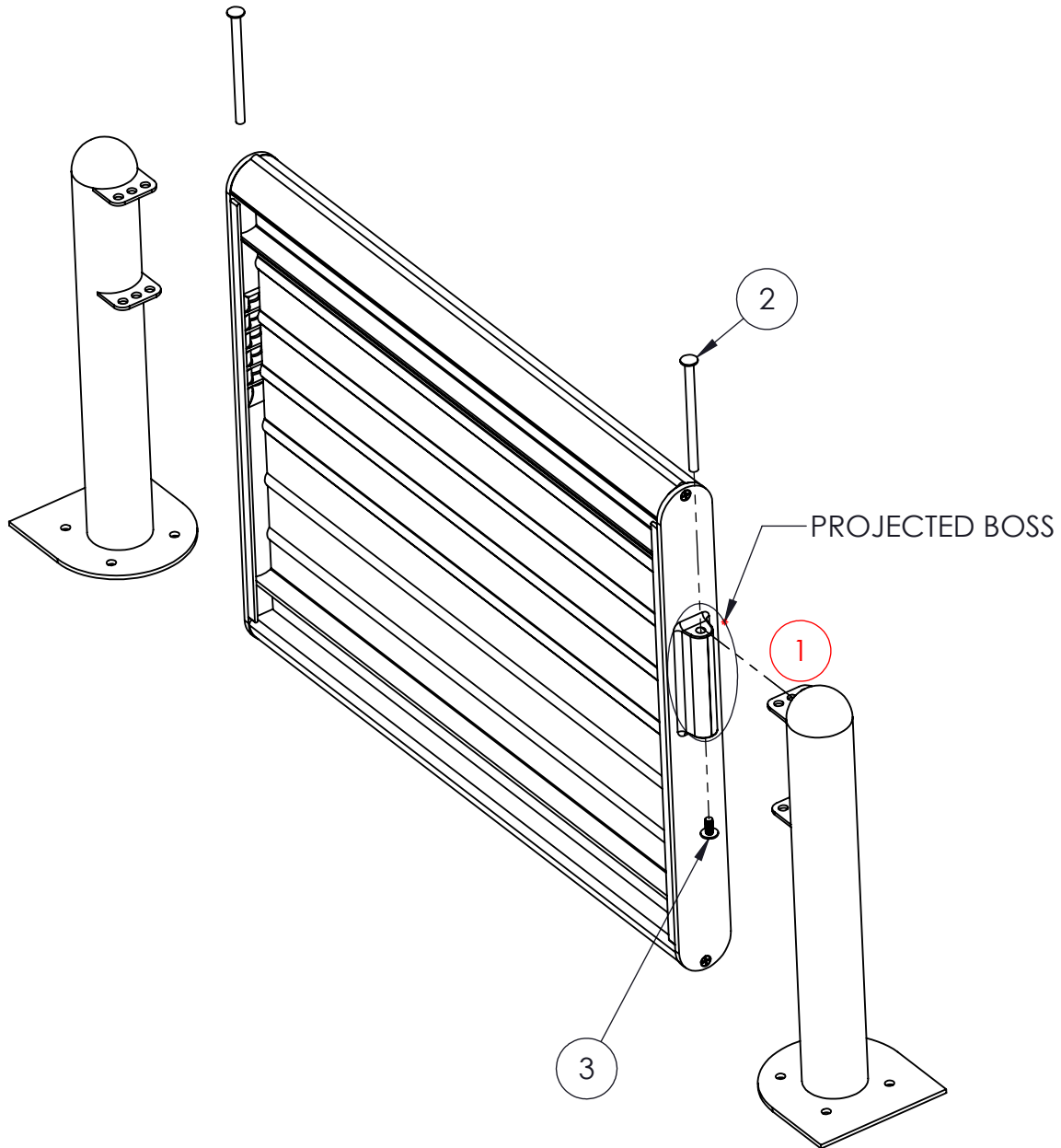
By flipping the desk screen upside-down in any of these configurations, you can create a taller barrier of up to 17.5" above the work surface.



If you have damaged or missing components please contact customer service.

800-328-1061
www.smithsystem.com

1. BUILD YOUR DESK FENCE



Step 1: Fit the projected boss of the desk fence screen between the two welded tabs of each pole. Align the hole of the projected boss with one of the tab holes.

Step 2: Insert the Binding Post into one of the holes of the top tab and also pass the binding post through the projected boss of the desk fence screen.

Step 3: Use the binding post screw to secure the screen to the pole. Pass the binding post screw through the aligning hole of the bottom tab. Fasten securely using a Phillips drive screwdriver.

If you have damaged or missing components please contact customer service.

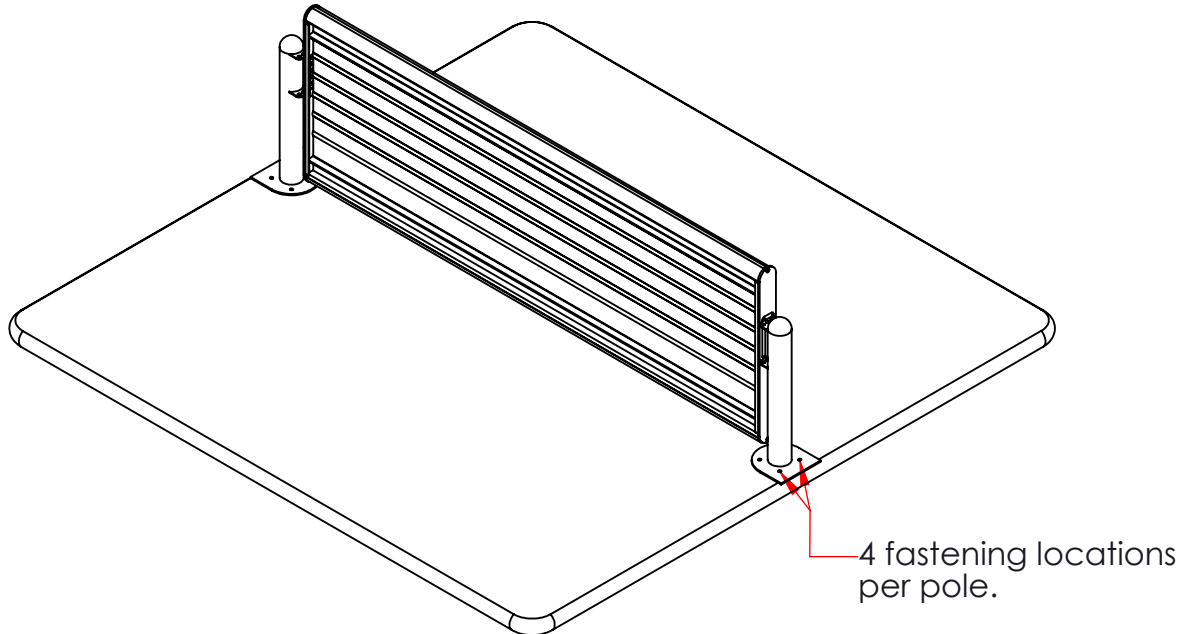
800-328-1061
www.smithsystem.com

AUG 2011

2. SECURE THE DESK FENCE TO THE WORK SURFACE

OPTION A: PERMANENT FASTENING - FASTEN THE DESK FENCE TO THE WORK SURFACE USING SCREWS

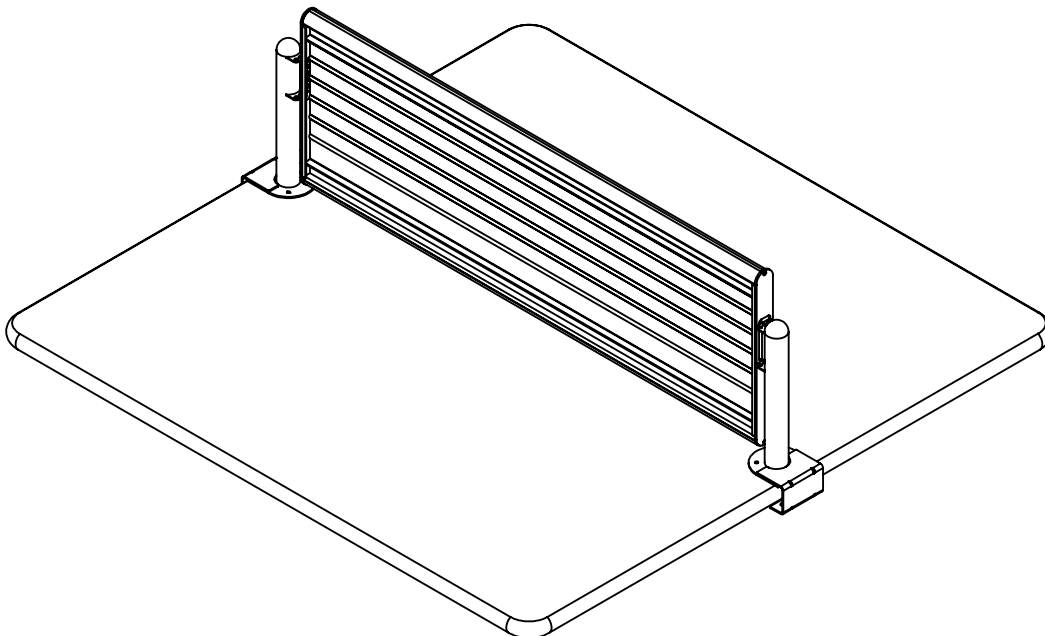
Using the 8 screws included in the hardware pack of the pole kit, you can fasten the desk fence to your work surface. There are 4 fastening locations per pole.



OPTION B: RECONFIGURABLE - CLAMP THE DESK FENCE TO THE WORK SURFACE

Using the clamps and set screws included in the hardware pack of the pole kit, you can clamp the desk fence to your work surface.

- *use the long set screws for a 3/4" thick top
- ** use the short set screws for a 1-1/4" thick top



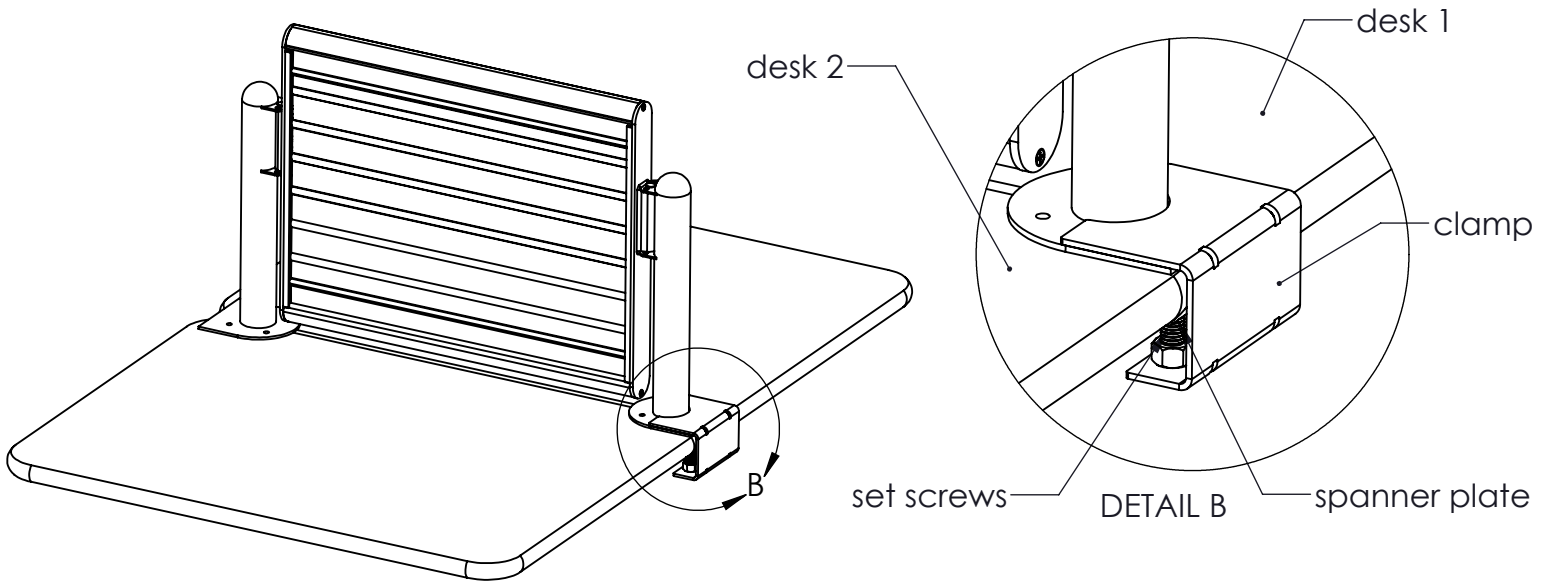
If you have damaged or missing components please contact customer service.

800-328-1061
www.smithsystem.com

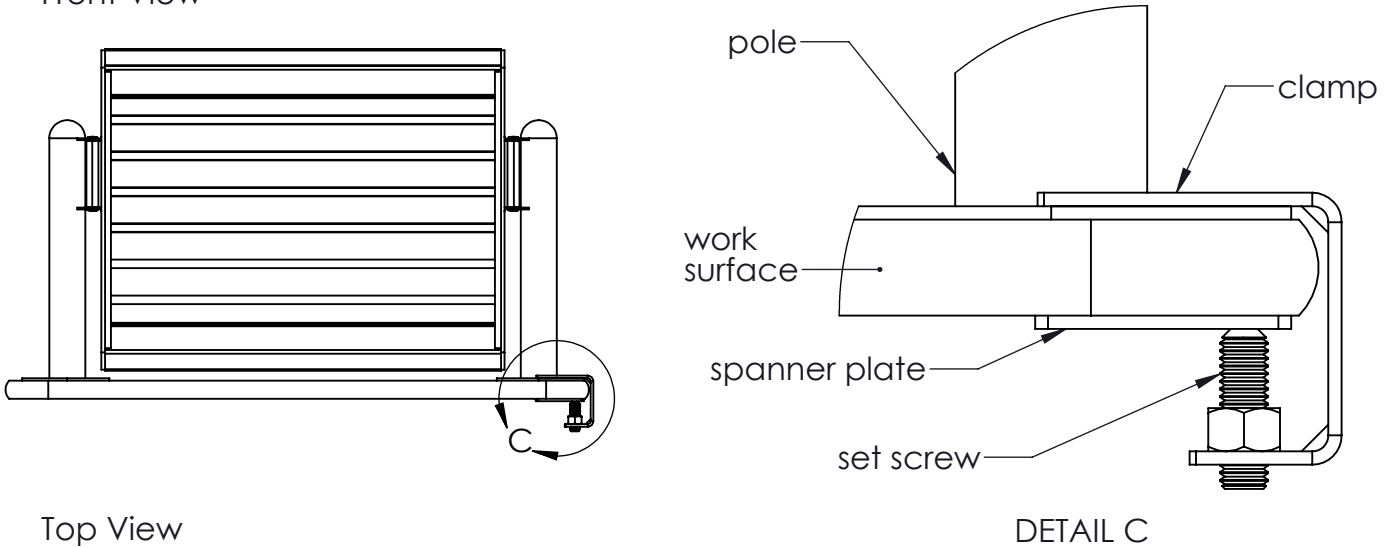
SPANNER PLATE

If you would like to use the desk fence to span two desks, (2 desks, sharing 1 fence) use the two spanner plates included in the hardware pack.

Isometric View



Front View



Top View

