



SMITH SYSTEM

Furniture for inspired learning.

Cascade Teacher Desk Single Cabinet Models



SMITHSYSTEM



Children & Schools

GREENGUARD[®]
Indoor Air Quality Certified

If you have damaged or missing components, please contact customer service.

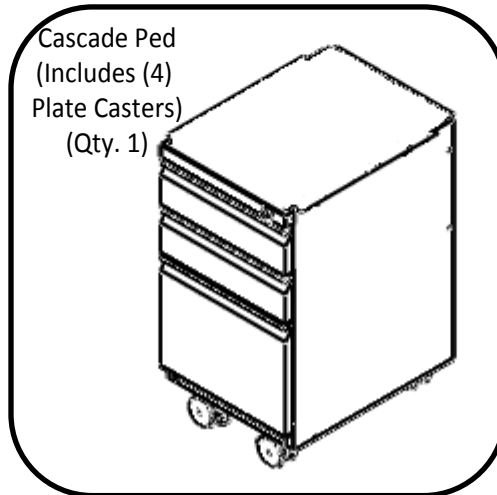
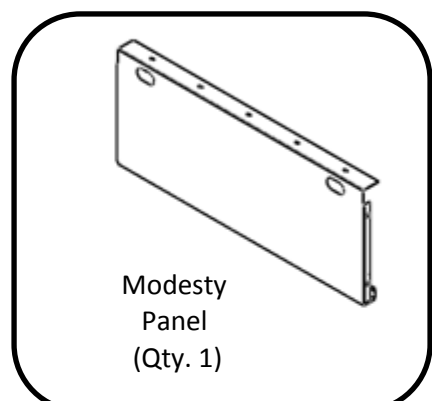
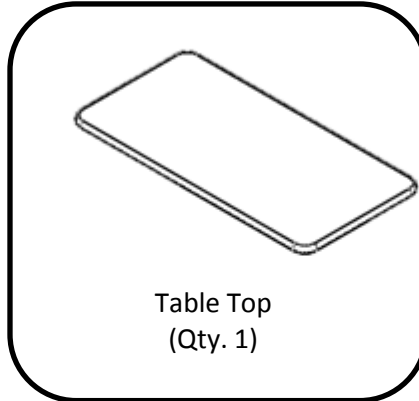
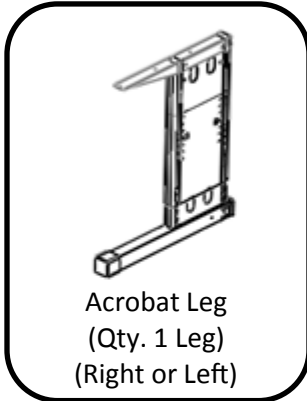
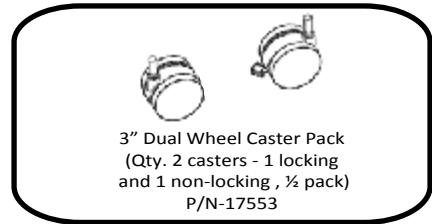
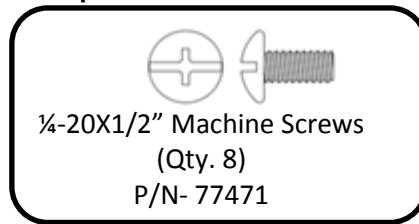
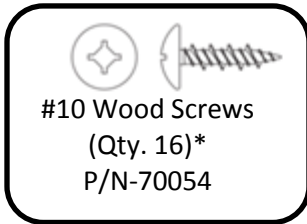
800-328-1061

Form# 179953

www.smithsystem.com

04/2014

Components and Hardware



*Our Cascade Teacher Desks come in different lengths, so hardware and screw hole placement will vary. If you feel you have not received all the necessary hardware, please call us at 800-328-1061.

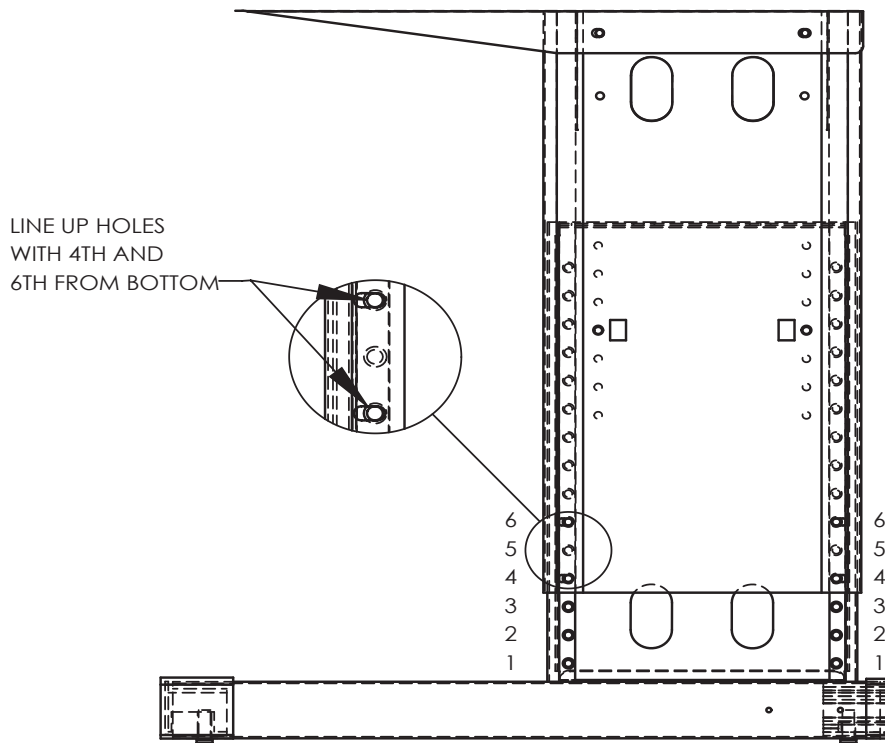
Replacement Pack 69755 Includes:

- (16) 77471- 1/4-20X1/2" Combo Drive Machine Screw
- (8) 70226- 10-32X.5" Machine Screw
- (2) 77482-Tinnerman Clips
- (16) 70054- SM Screw #10X.75 HI/LO PTH

If you have damaged or missing components, please contact customer service.

800-328-1061

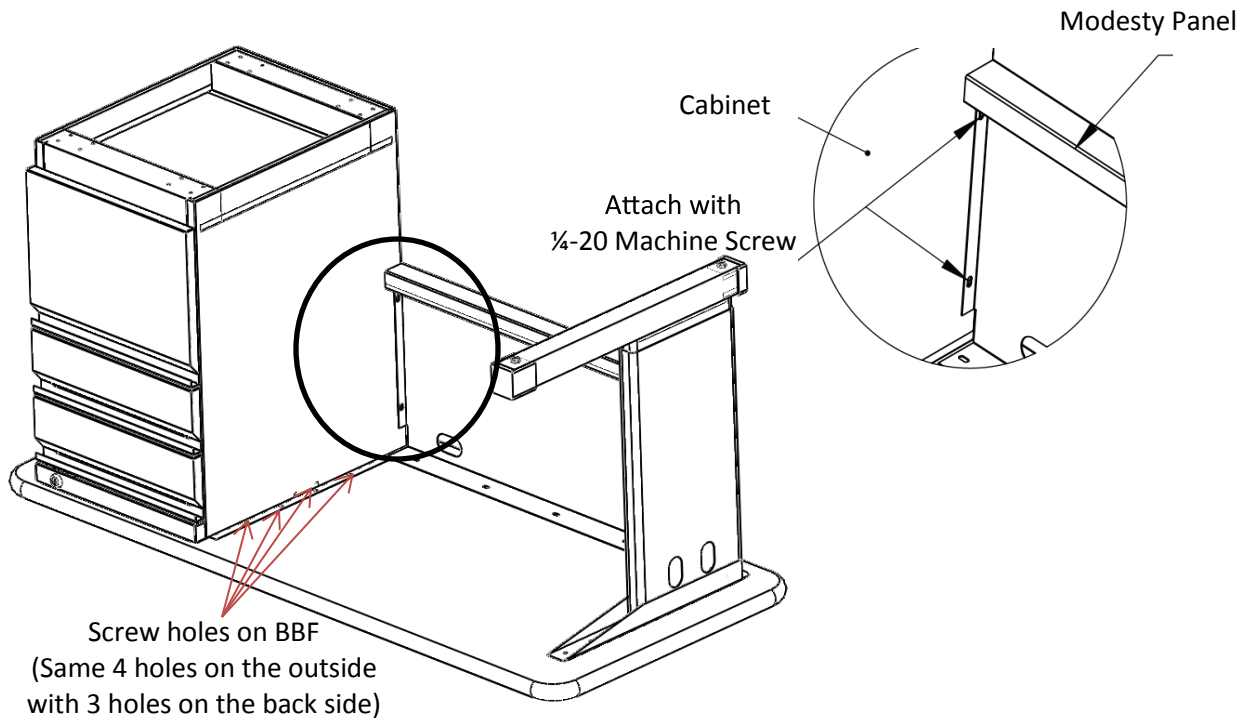
Step 1: Adjust the leg to the below specified height by removing the (4) 1/4-20X0.5" machine screws and and reinserting them as shown below in the fourth and sixth holes from the bottom.



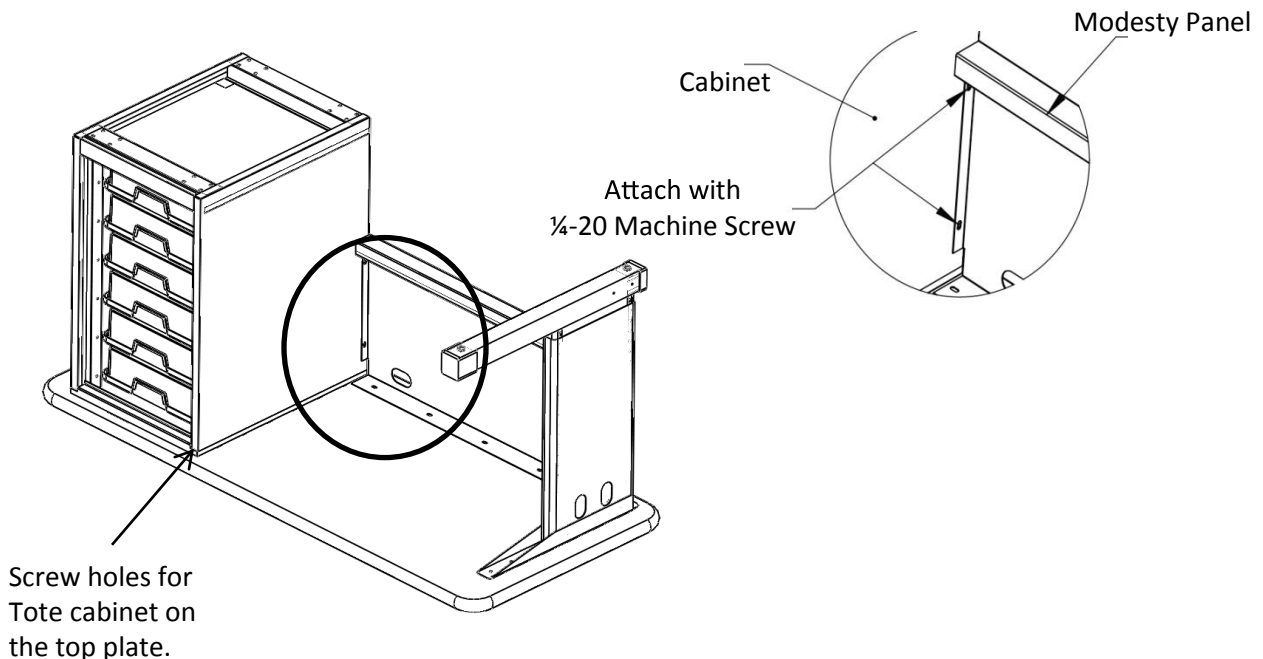
If you have damaged or missing components, please contact customer service.

800-328-1061

Step 2A (If your cabinet is a Box Box File): Place the Box Box File (BBF) upside down on the table top opposite the leg. Align the modesty panel with the two holes on the BBF and the leg. Attach the modesty panel to the BBF and the leg using (4) 1/4-20 machine screws. The screw holes on the BBF are along the outside of the top plate (as seen in the picture).



Step 2B (If your cabinet contains totes): Remove all totes from the cabinet. Place your tote cabinet upside down on the top opposite the leg. Align the modesty panel with the cabinet and the leg. Attach the modesty panel to the cabinet and the leg with (4) 1/4-20 machine screws.



If you have damaged or missing components, please contact customer service.

800-328-1061

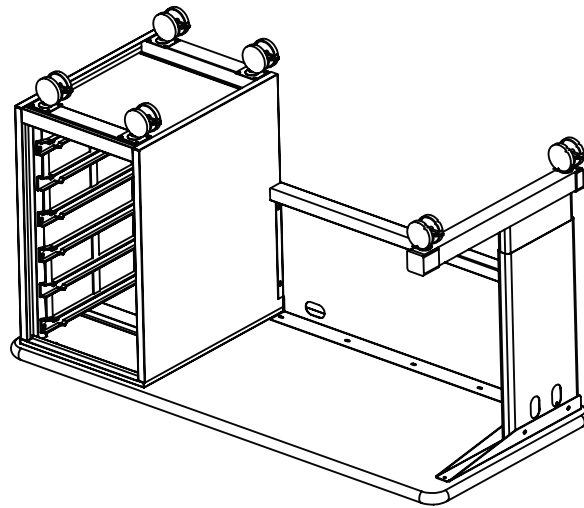
Step 3: Align the cabinet, modesty panel and leg with the predrilled holes in the top.

Step 4: Attach the cabinet, modesty panel and leg to the table top using the supplied wood screws.

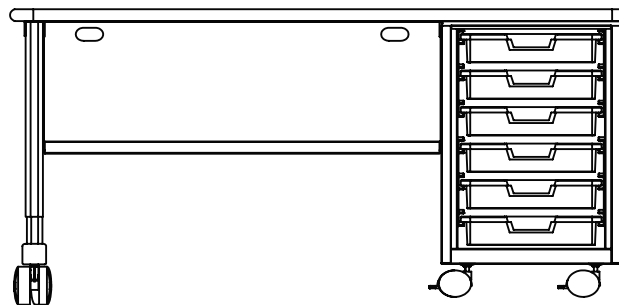
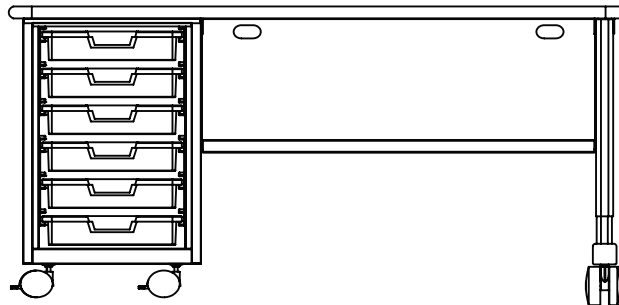
Step 5: Attach the (4) plate casters to the cabinet using the supplied screws. Next, attach the (2) 17553 threaded stem casters to the single leg.

Step 6: With assistance, carefully place the unit upright.

Step 7: (Only Cascade Teacher Desk with Totes): Re-insert the totes into the Cascade Ped.



LEFT
HAND



RIGHT-
HAND

If you have damaged or missing components, please contact customer service.

800-328-1061