



SMITH SYSTEM

Furniture for inspired learning.

21677 Nomad Assembly Instructions

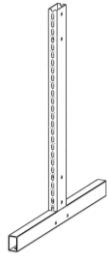


For assistance in assembling product, missing or damaged parts, or to place an order, please contact customer service at 1-800-328-1061. You may also place your order online at www.smithsystem.com

Form#179985

11/2015

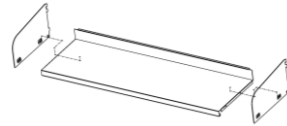
Components and Hardware List



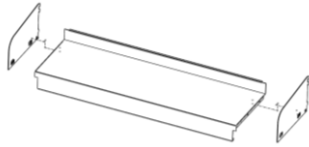
Part#: L43801
Library Column
(Qty. of 2)



Part#: 17554
4" Dual-Wheel Caster
Pack (Qty. of 4)



Part#: 21295
Flat Shelves (Qty. of 4)



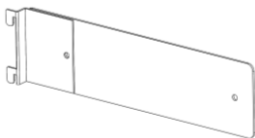
Part#: 21298
Flat Base Shelves
(Qty. of 2)



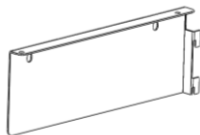
Part#: 74104
Library Spacer Support
(Qty. of 3)



Part#: 74119
Library/Nomad
Hardware Pack



Part#: 77640
Flat Bottom Brackets
(Qty. of 4)



Part#: 77641
Flat Top Brackets
(Qty. of 4)



Part#: 78842
End Panels (Qty. of 2)



Part#: 78918
Top Panel

For assistance in assembling product, missing or damaged parts, or to place an order, please contact customer service at 1-800-328-1061. You may also place your order online at

Assembly Instructions

- Step 1:** Attach the **4" Dual-Wheel Casters** to the bottom of the **Library Columns**. Ensure that the casters are fully tightened and secure. (If casters are not fully tightened, the unit may get damaged or may not roll correctly)
- Step 2:** Attach both **Library Spacer Supports** to the **Library Columns** using the connector bolts and nuts from the hardware pack. The Nomad, at this point, should look like the unit pictured below.



- Step 3:** Mount one of the **Flat Top Brackets** (hook-side facing in) to the pre-drilled **End Panel** using wood screws from the hardware pack. Hang the **End Panel** with the attached **Flat Top Bracket** from the top of the **Library Column**. Attach the **Flat Top Bracket** on the other side of the same **End Panel**. Hang the **Flat Bottom Brackets** from the slots in the bottom of the **Library Column**. Fasten the **Flat Bottom Brackets** to the **End Panel** with wood screws from the hardware pack. Repeat the process for the other end of the Nomad. The Nomad, at this point, should look like the unit pictured below.

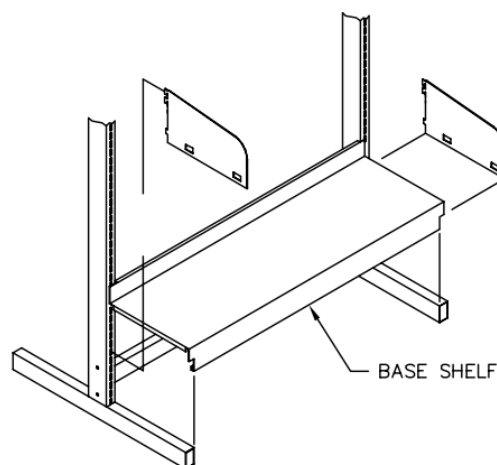


For assistance in assembling product, missing or damaged parts, or to place an order, please contact customer service at 1-800-328-1061. You may also place your order online at

Step 4: Position the **Top Panel**, with the pre-drilled holes facing downward and centered, between the **End Panels** and on top of the **Flat Top Brackets**. Fasten the **Top Panel** to the **Flat Top Brackets** using wood screws from the hardware pack. The Nomad, at this point, should look like the unit pictured below.



Step 5: Locate both **Flat Base Shelves**. Attach the two end brackets to the shelf for both shelves. Place both fully assembled **Flat Base Shelves** at the bottom of both columns by inserting the tabs on the end of the shelves into the slots of the columns. The image below details the process of assembling and installing the **Flat Base Shelves**.



For assistance in assembling product, missing or damaged parts, or to place an order, please contact customer service at 1-800-328-1061. You may also place your order online at

Step 6: **Flat Shelves** are assembled in the same manner as **Flat Base Shelves** - by attaching the end brackets to each shelf. Grasp the shelf by each bracket and insert the tabs into the slots of the column at the desired height. The image below shows how the shelf should seat onto the columns.

