

# MODEL #01180, 01181, 01184

## Activity Table Legs

### DESIGN:

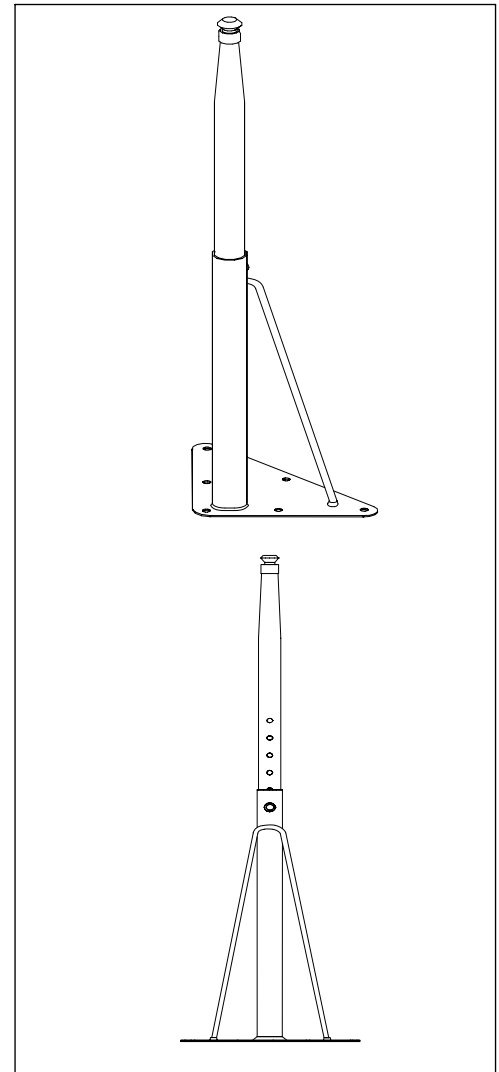
The activity table leg is installer friendly, thanks to an East-On-Bracket that mounts each leg with only 1 screw each for secure attachment.

### MATERIALS:

The upper leg is made of 18-gauge 1 1/8" diameter steel tube, protected by a durable powder coat finish, with a choice of 8 colors to bring excitement to the classroom. The 1/4" V support brace is welded to the top leg and 16-gauge mounting plate, which adds stability and strength. Legs attach to an easy-on-bracket that is already mounted to the desktop requiring only 1 screw per leg for secure assembly. The 12-gauge lower leg is chrome-plated tube to resist scuffing. The telescoping leg adjusts in 1" increments and is swedged to a 3/4" diameter to accept our outside-hold glides. All glides feature our legendary outside-hold design which stay stronger and last longer as well as feature a swivel base and chrome plated nylon cover.

\*Note: 01184 Activity Table Leg (11-16"H) not swedged at end and uses a 1" outside-hold glide.

### PRODUCT SPECIFICATIONS:



### DIMENSIONS & FREIGHT: Product is NOT UPSable

Model	Description	H"	F.C. Cube	Wt.
01180	Activity Table Leg Set	21-30	70	12 lbs.
01181	Activity Table Leg Set	15-24	70	10.5 lbs.
01184	Activity Table Leg Set	11-16	70	9 lbs.

### AVAILABLE COLORS:

Activity Table  
Leg Color Choice

