



Flavors/Plato P-Tablet/Rhombus Chair Assembly Instructions



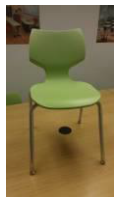
For assistance in assembling product, missing or damaged parts, or to place an order please contact customer service at 1-800-328-1061. You may also place your order online at www.smithsystem.com

Tools Needed:



Phillips Head #2

Hardware Components:



Flavors or Plato



(69742) Clamps



P-Tablet



(70080) (QTY 12)
3/16" x5/8" wood screws



Flavors/Plato 'P' -Tablet
Arm Frame



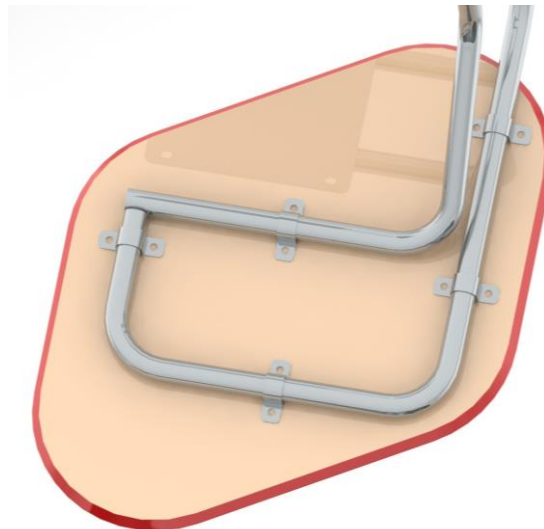
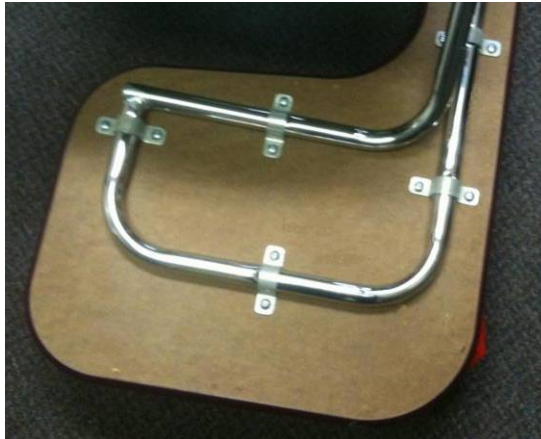
Rhombus Tablet

Flavors/Plato P-Tablet/Rhombus Chair Directions

1. Place your 3/4" P-Tablet or Rhombus top laminate side down on a clean, dry surface. Place the Tablet Arm Frame on the Tablet Top. Locate the (5) Clamps and line them up with the holes in the frame.

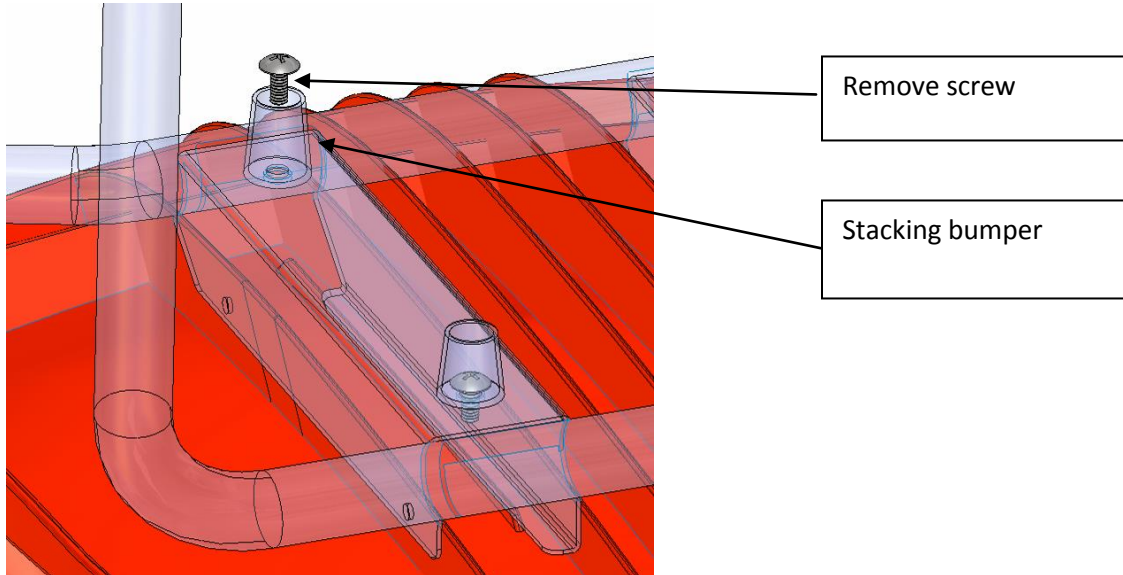


2. Attach the clamps to the top with the (12) 3/16" x 5/8" wood screws.



Flavors/Plato P-Tablet/Rhombus Chair Directions

3. Remove the stacking bumpers from the bottom of the chair by unfastening the screws, and **KEEP THE SCREWS**



4. Use the same screws to attach the Tablet Arm Assembly to the chair.

