

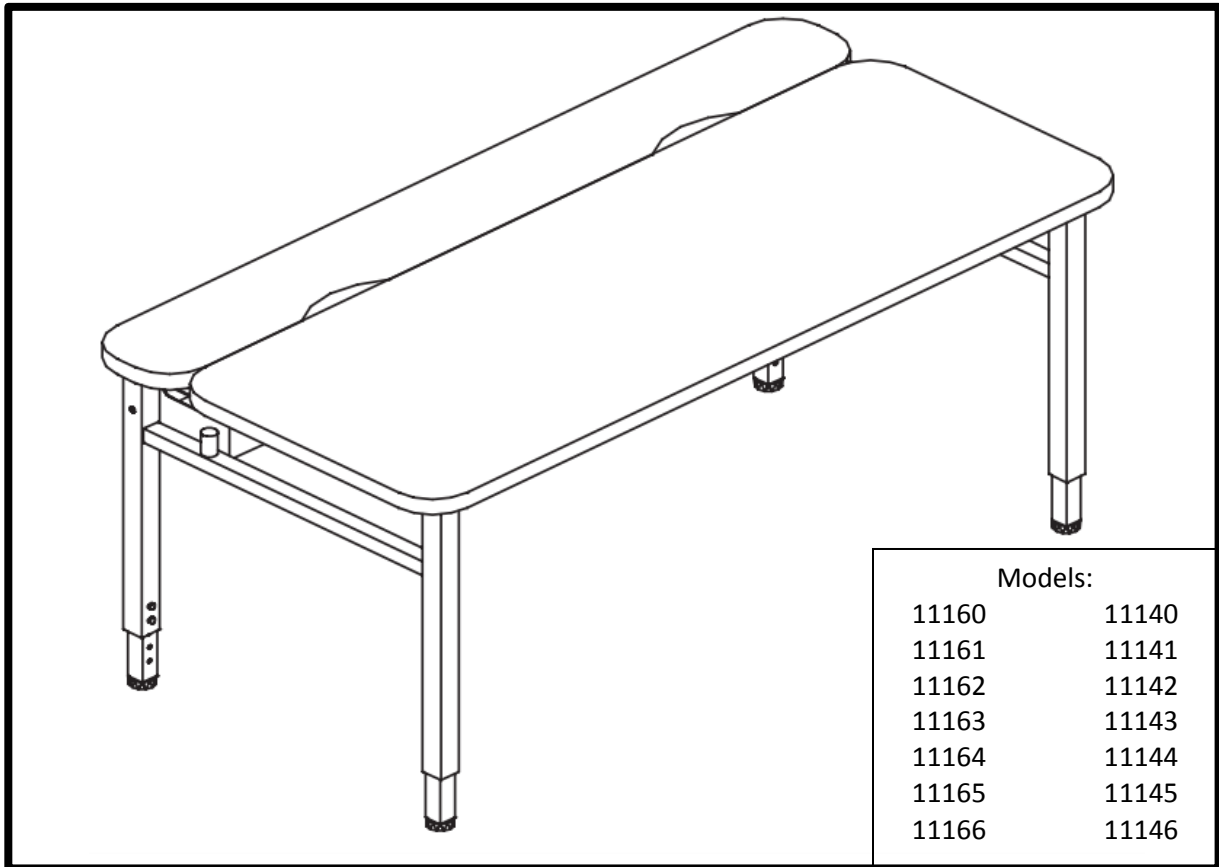


SMITH SYSTEM

Furniture for inspired learning.

Access Station

Assembly Instructions



SMITH SYSTEM




For Assistance in assembling product, missing or damaged parts,
or to place an order, please contact customer service at 800-328-1061

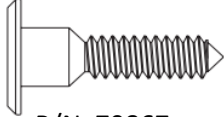
You may also place your order online at

www.smithsystem.com

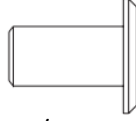
Hardware and Components



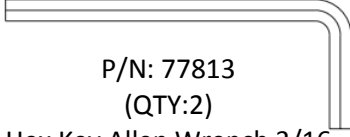
P/N: 70054
#10X3/4" Wood Screw




P/N: 70867
(QTY: 4)
Connector Bolt 1/4-20X23mm



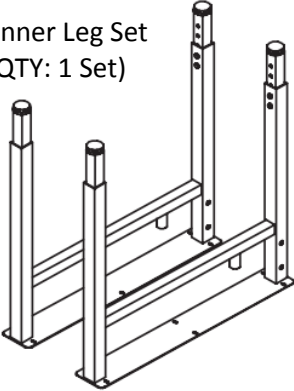
P/N: 70869
(QTY:4)
Connector Nut 1/4-20X17mm



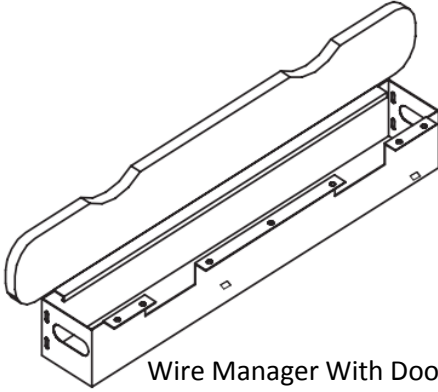
P/N: 77813
(QTY:2)
Hex Key Allen Wrench 3/16



P/N: 77741
(QTY: 8)
3/8-16X.625 1/2 Dog Socket Screw



Planner Leg Set
(QTY: 1 Set)



Wire Manager With Door and Lock
(QTY: 1)

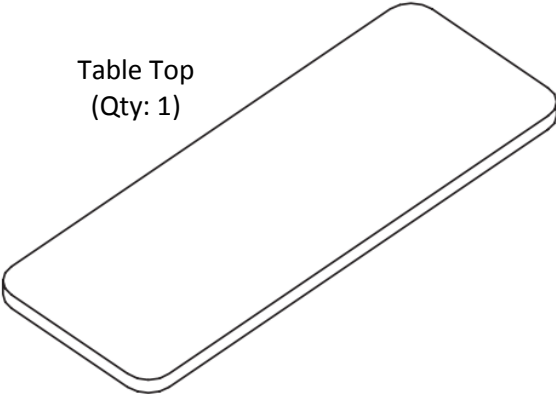



Table Top
(Qty: 1)



Key Set

URGENT: Please make sure you have received all hardware and components before assembling product

For Assistance in assembling product, missing or damaged parts,
or to place an order, please contact customer service at 800-328-1061
You may also place your order online at
www.smithsystem.com

Replacement Hardware Packs

11140 – 69709 ZINC/BLA-R

11141 – 69709 ZINC/BLA-R

11142 – 67607 ZINC/BLA-R

11143 – 67607 ZINC/BLA-R

11144 – 69709 ZINC/BLA-R

11145 – 69709 ZINC/BLA-R

+ 69718 ZINC/BLA-R

11146 – 69709 ZINC/BLA-R

+ (2) 69718 ZINC/BLA-R

11160 – 69709 ZINC/BLA-R

11161 – 69709 ZINC/BLA-R

11162 – 69709 ZINC/BLA-R

11163 – 69709 ZINC/BLA-R

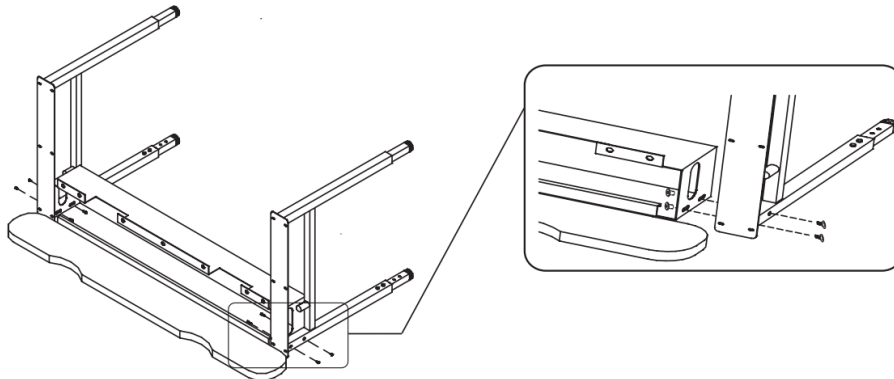
11164 – 69709 ZINC/BLA-R

11165 – 69709 ZINC/BLA-R

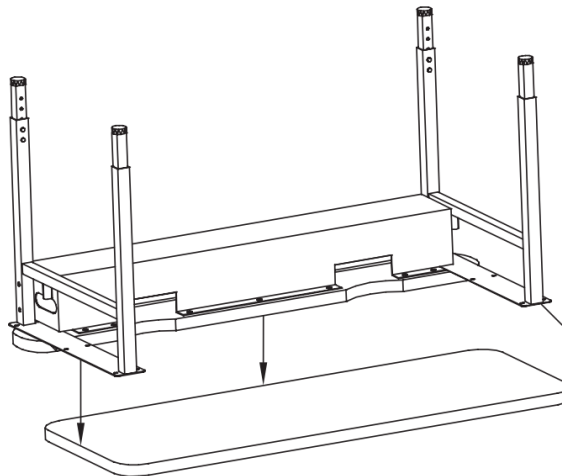
11166 – 69709 ZINC/BLA-R

Assembly Instructions

Step 1: Attach the (2) PSD legs using (4) Connector bolts and nuts which are located in your hardware pack. Do not fully tighten the screws, until the table is fully assembled.



Step 2: Place the table top on a smooth, clean surface with the bottom facing up. Align the assembly from step one with the predrilled holes in the larger top. Verify the alignment before moving to step 3.

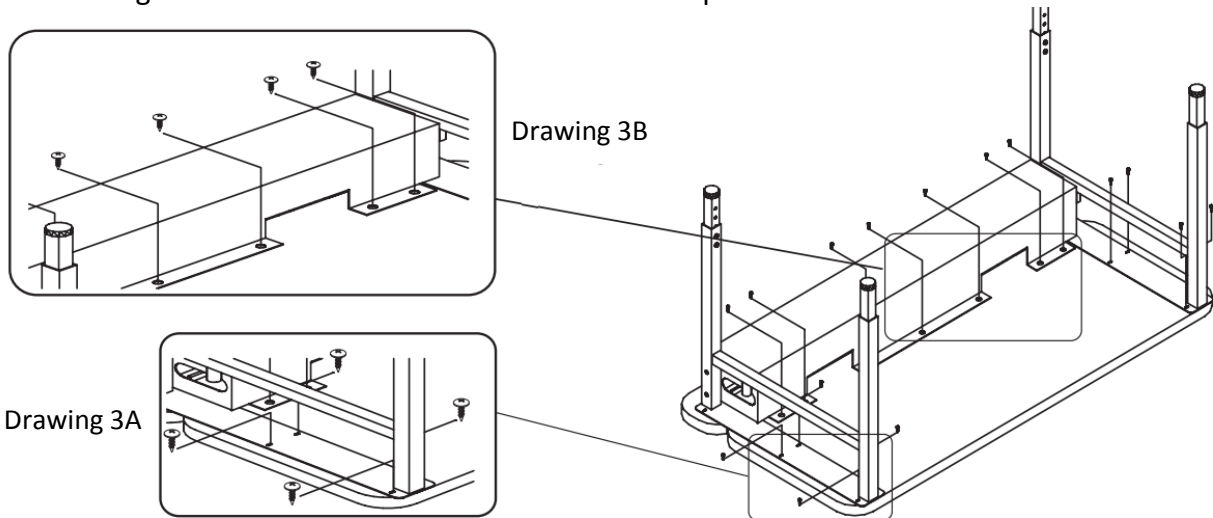


For Assistance in assembling product, missing or damaged parts,
or to place an order, please contact customer service at 800-328-1061

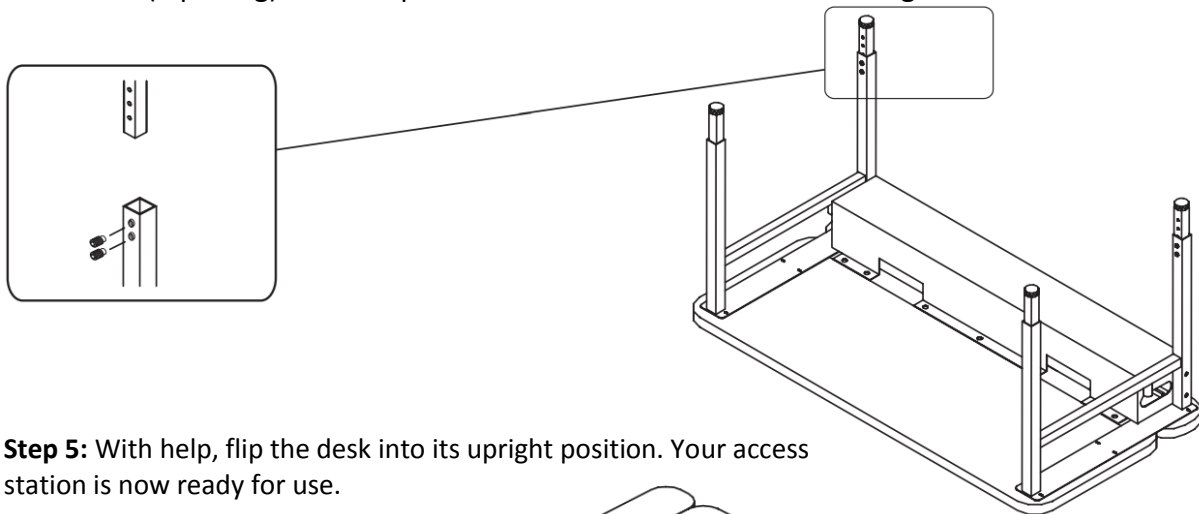
You may also place your order online at

www.smithsystem.com

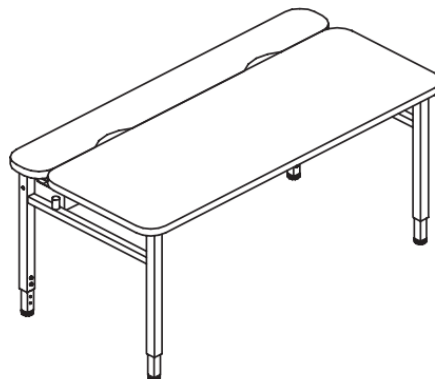
Step 3: Attach the PSD legs using (4) Truss head screws to the table top through the predrilled holes. Do not place the screws in the back two holes of the leg (See drawing 3A). Then, screw the wire manager into the table top using the provided wood screws (See drawing 3B). Now, go back and tighten the connector bolts referenced in Step 1.



Step 4: Adjust the PSD leg inserts to the desired height and secure with (8) 3/8-16X.625 half dog nut screws (2 per leg). Use the provided allen wrench to loosen and tighten the screws.



Step 5: With help, flip the desk into its upright position. Your access station is now ready for use.



For Assistance in assembling product, missing or damaged parts,
or to place an order, please contact customer service at 800-328-1061
You may also place your order online at
www.smithsystem.com