

(SHOWN MODEL 24000)

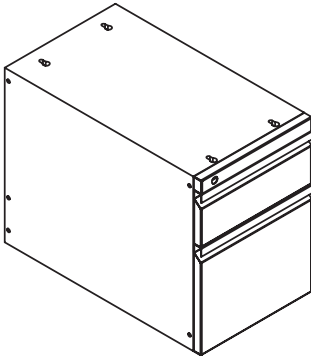
**TEACHER DESK - SINGLE DRAWER PED  
MODEL 24000 - LEFT HAND PED  
MODEL 24001 - RIGHT HAND PED**



If you have damaged or missing components please contact customer service.  
800-328-1061

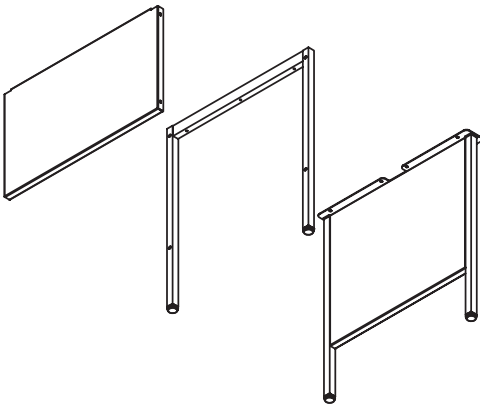
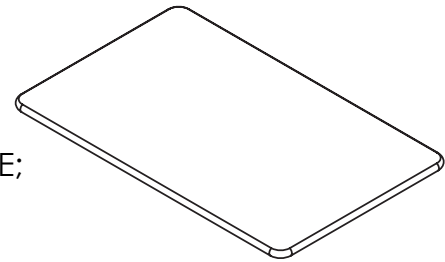


## PARTS LIST



DESCRIPTION: DRAWER PEDESTAL  
QTY PER UNIT: 1  
PART NUMBER: 19180  
COLORS: BLA; CMP; PLT

DESCRIPTION: 30" x 48" TOP  
QTY PER UNIT: 1  
PART NUMBER: 68653  
COLORS: CHOICE OF LAMINATE;  
CHOICE OF T-MOLD



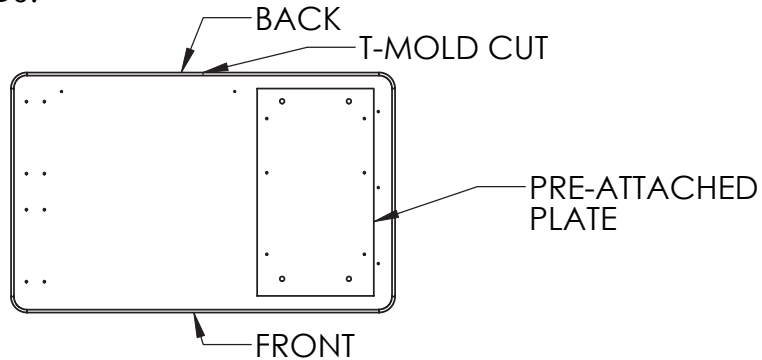
DESCRIPTION: SINGLE PED LEG SET (INCLUDES HDWR AND MODESTY PANEL)  
QTY PER UNIT: 1  
PART NUMBER: 19183  
COLORS: BLA; CMP; PLT



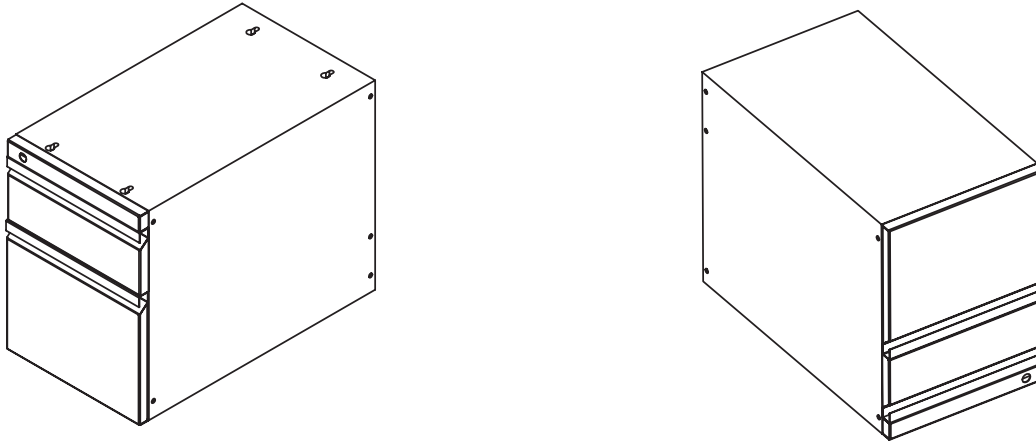
If you have damaged or missing components please contact customer service.



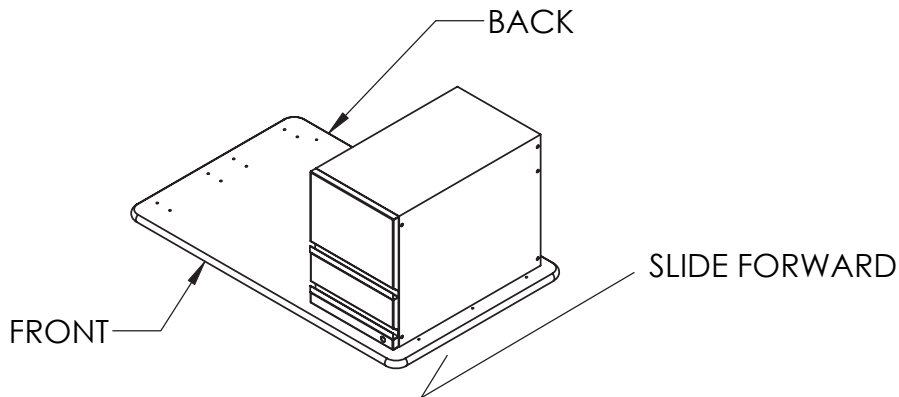
1. LAY THE TOP UPSIDE DOWN WITH THE CUT OF THE T-MOLD AT THE BACK. MAKE SURE THE LAMINATE IS FACE DOWN AND THE PRE-ATTACHED MOUNTING PLATES ARE FACING UPWARDS.



2. REMOVE THE DRAWER PED FROM THE CARTON. TURN THEM UPSIDE DOWN SO THAT THE KEYHOLE-SHAPED SLOTS ARE FACE DOWN.



3. SECURE THE DRAWER PED ON THE MOUNTING PLATE. ALIGN SLOTS ON DRAWER PED TO KNOBS ON MOUNTING PLATE. BE CAREFUL NOT TO FORCE THE PARTS TOGETHER. THE KNOBS ON THE PLATE SHOULD COMFORTABLY ALIGN WITH THE SLOTS. ONCE THE PED IS SEATED ON THE PLATE, SLIDE THE PED FORWARD (TOWARDS YOU).

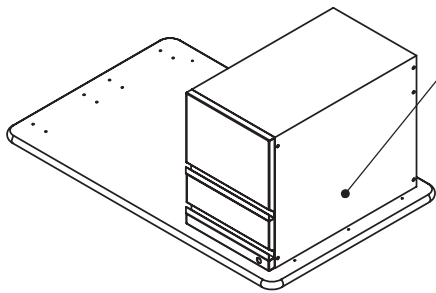


If you have damaged or missing components please contact customer service.

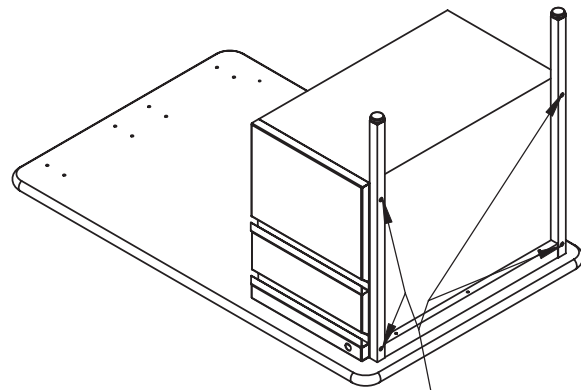
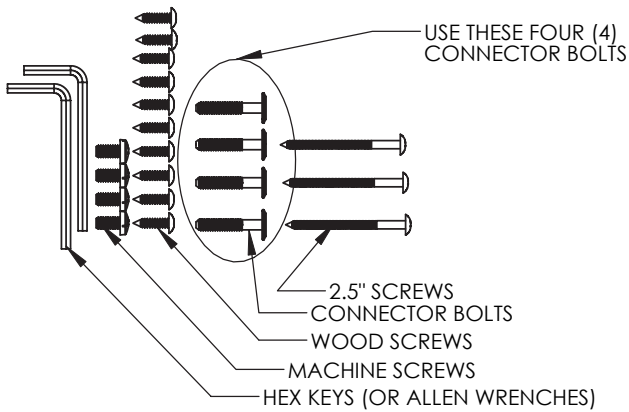
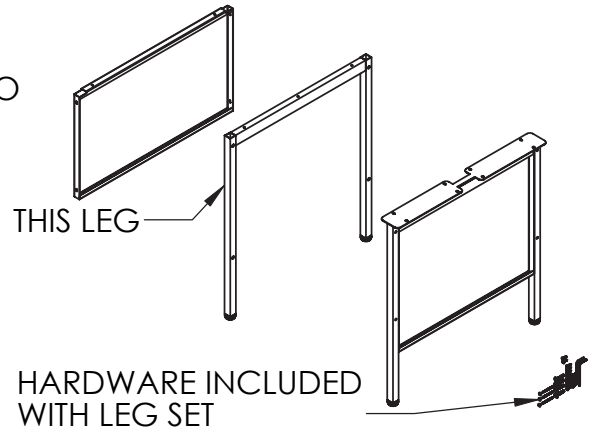
800-328-1061

[www.smithsystem.com](http://www.smithsystem.com)

4. ATTACH LEG TO DRAWER PED.

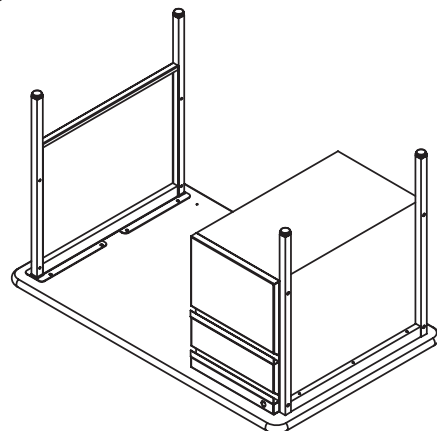
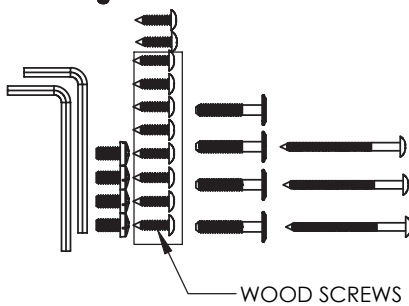
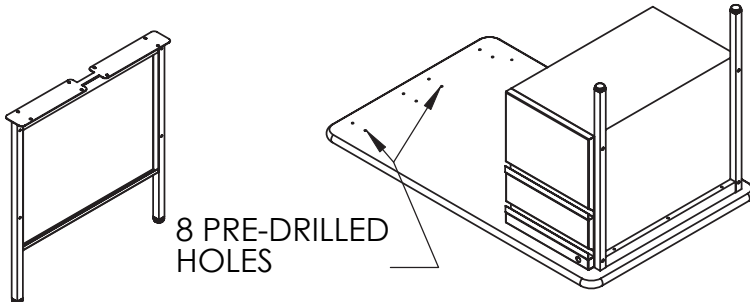


ATTACH LEG TO  
DRAWER PED

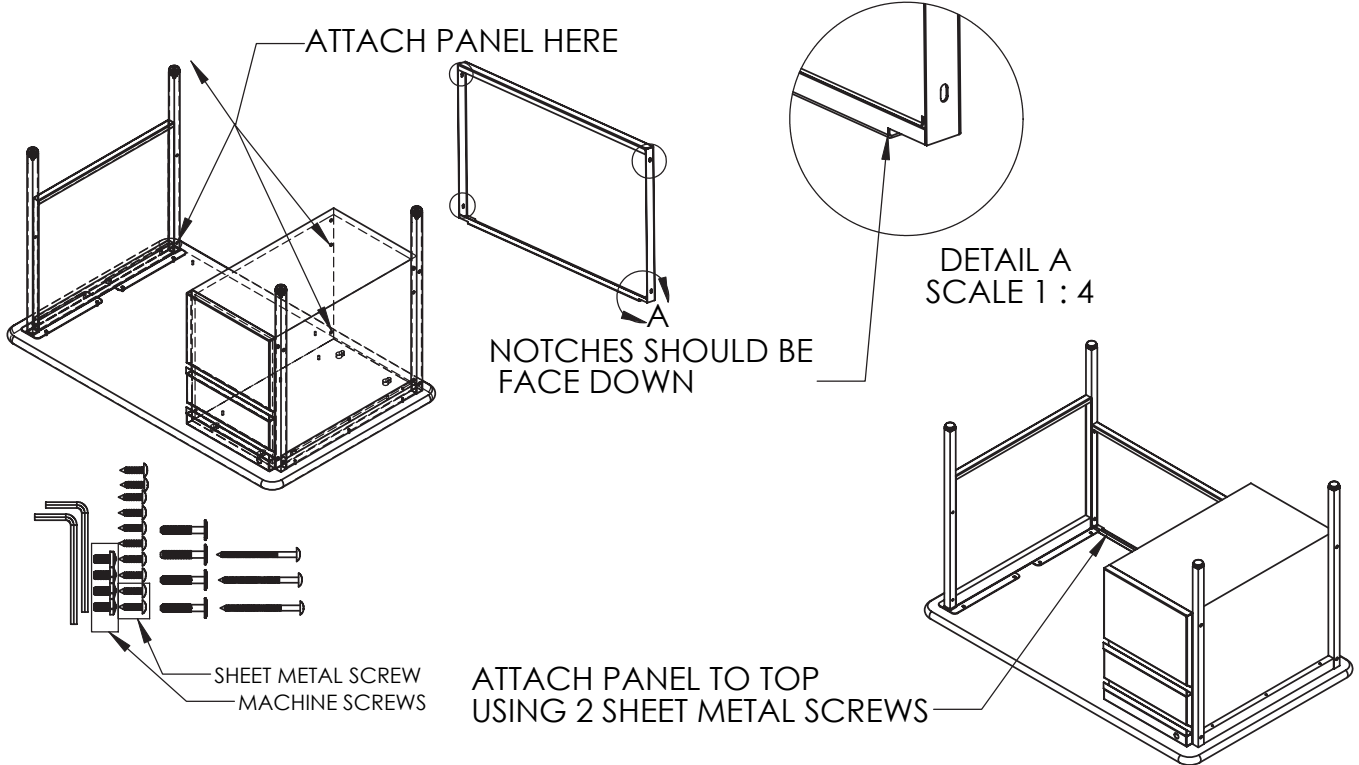


ATTACH BOLTS HERE

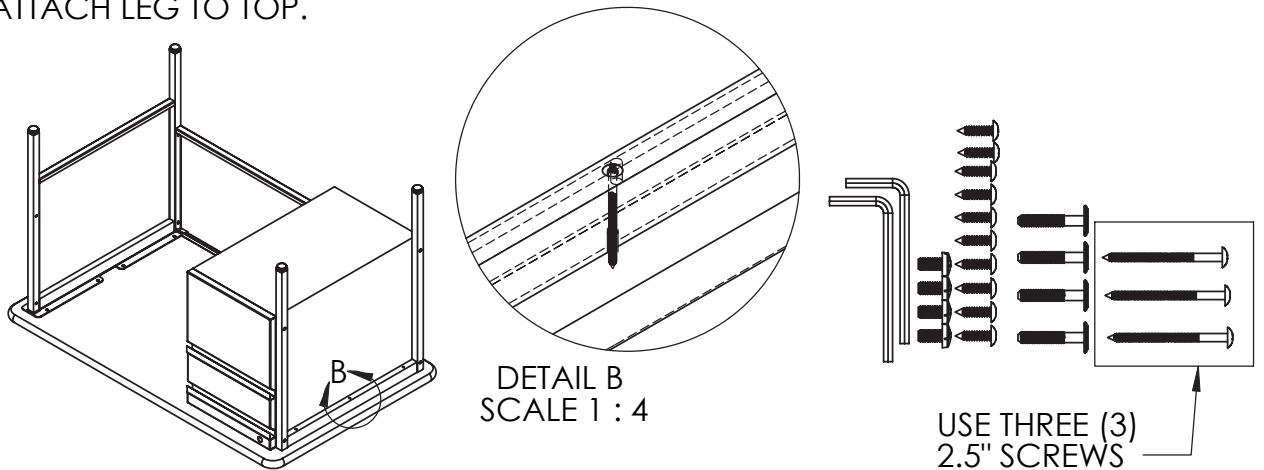
5. ATTACH THE OTHER LEG TO THE TOP USING 8 of the 10 SHEET METAL SCREWS.



6. ATTACH THE MODESTY PANEL TO THE LEGS. THEN ATTACH THE PANEL TO THE TOP.



7. ATTACH LEG TO TOP.



8. THE UNIT IS NOW ASSEMBLED. YOU SHOULD NOT HAVE ANY REMAINING SCREWS IN THE HARDWARE PACK. TIGHTEN THE MACHINE SCREWS AND THE SHEET METAL SCREWS USING AN ELECTRIC DRILL AT THE LOWEST TOQUE SETTING. HEX KEYS ARE PROVIDED TO ASSIST TIGHTENING THE CONNECTOR BOLTS.

9. WITH THE HELP OF AT LEAST ONE OTHER PERSON, CAREFULLY LIFT THE DESK AND TURN THE UNIT OVER (UPRIGHT).

**NOTE:** USE CAUTION WHEN REPOSITIONING THE UNIT AT ANY TIME. DRAGGING THE DESK ACROSS THE FLOOR OR ROCKING THE DESK ON 2 OF THE 4 LEGS WILL WEAKEN THE INTEGRITY OF THE ASSEMBLY.

If you have damaged or missing components please contact customer service.

800-328-1061

www.smithsystem.com