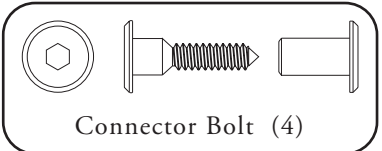
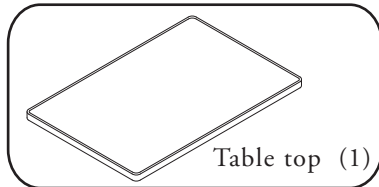
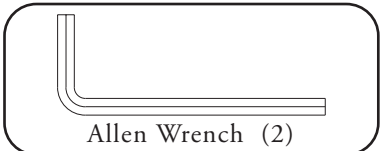
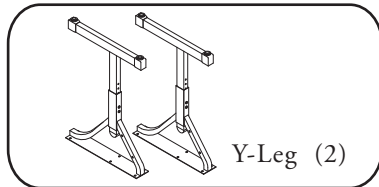
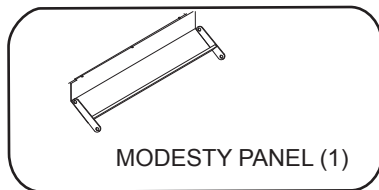
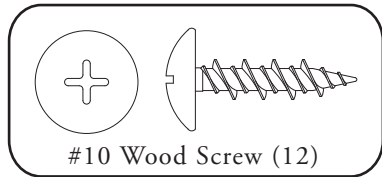


Flex Desk Quick Installation Guide

model 01360, 01361, 01362, 01370, 01371, 01380, 01381

Required for Installation

Instructions



- Step 1 Place table top on a smooth, clean surface with the bottom facing up.
- Step 2 Loosely attach panel to legs using supplied connector bolts. LEAVE FINGER TIGHT (Diagram 2)
- Step 3 Align frame assembly with predrilled holes in top and use supplied #10 screws to loosely attach. (Diagram 1)
- Step 4 Go back to assembly and completely tighten connector bolts. Once done completely tighten frame assembly to table.
- Step 5 Using supplied Allen wrench adjust height of legs. (Diagram 3) Carefully tip unit over onto it's legs. Unit is now ready for use.

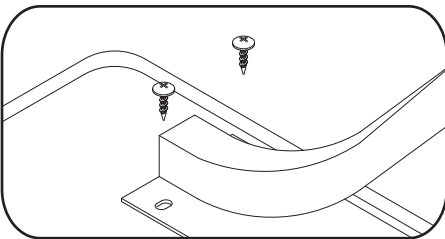


Diagram #1

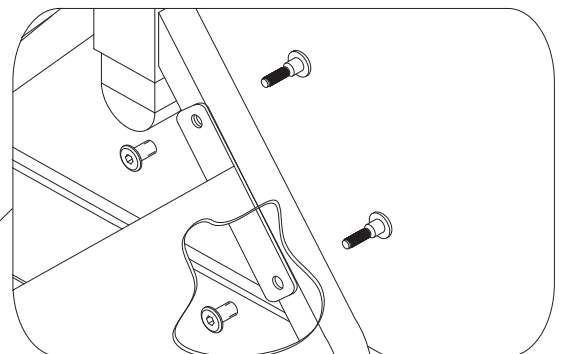
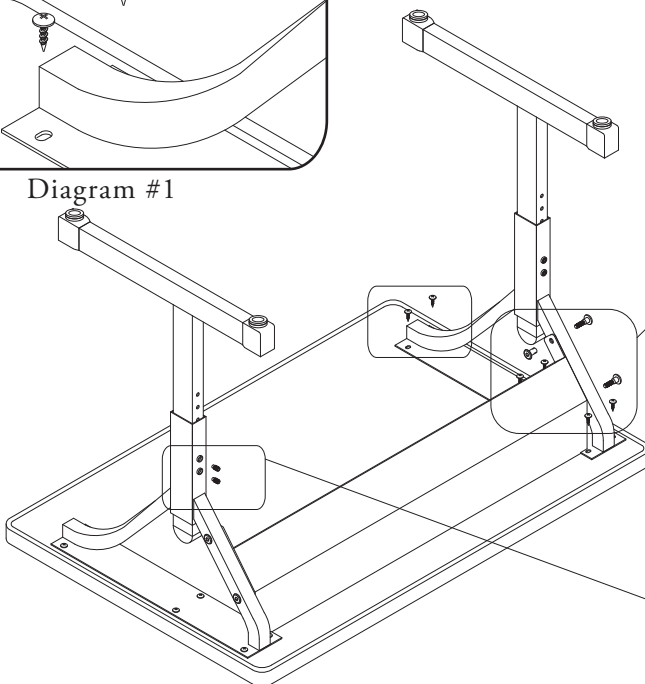


Diagram #2

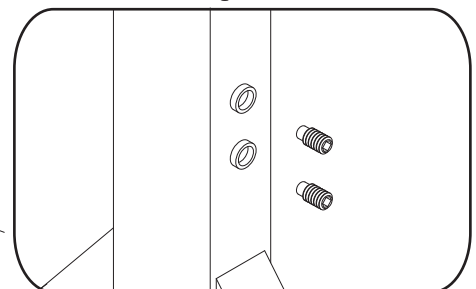


Diagram #3