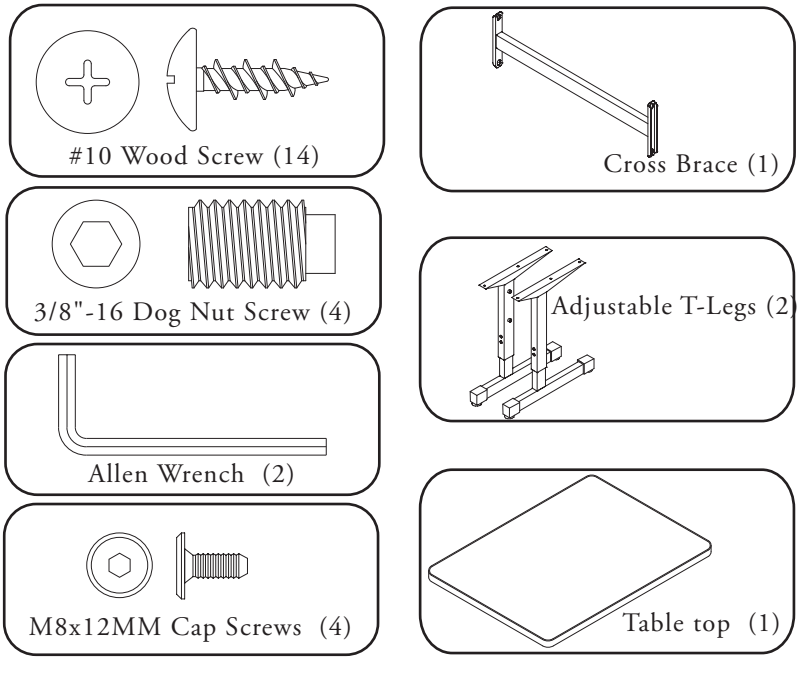


Silhouette Student Desk Quick Installation Guide

Required for Installation



Instructions

- Step 1: Loosely attach legs with #10 wood screws (14) and cross brace using the M8x12MM cap screws (4). (Be sure to loosely attach the screws).
- Step 2: Flip table over on a smooth, clean surface with the bottom facing up.
- Step 3: Using supplied Allen Wrench go back and tighten the cap screws on the cross brace.
- Step 4: Tighten the #10 wood screws into the table. Adjust table to desired height using the supplied Allen Wrench. Carefully flip the desk over, desk is now ready for use.

MODELS

01600 01601
01650 01651

