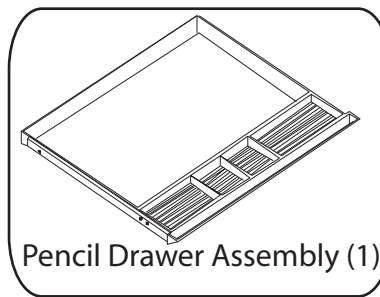
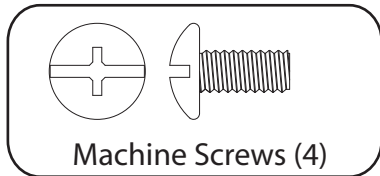
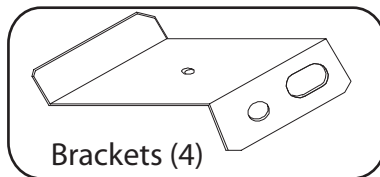
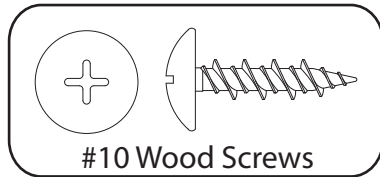




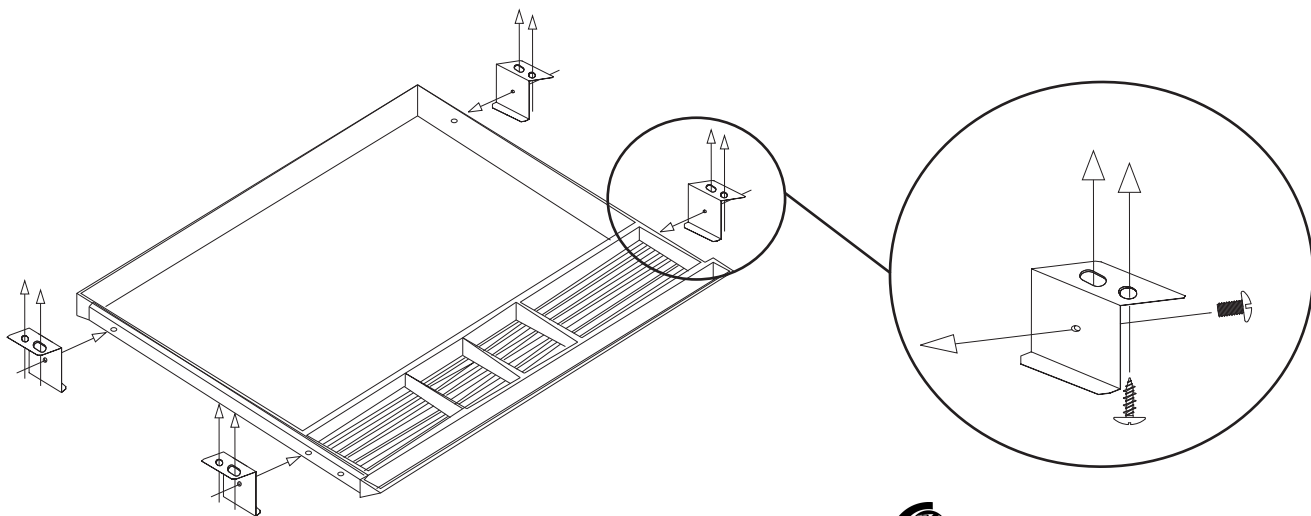
17342 Pencil Drawer Quick Installation Guide

Required for Installation



Instructions

- Step 1 Place pencil drawer on a smooth, clean surface.
- Step 2 Attach the provided brackets to outer channel of the drawerslide using the (4) Machine Screws included in the kit.
- Step 3 Center the drawer and secure to the table bottom with (8) #10 wood screws
- Step 4 Next tighten the screws. Your pencil drawer is now ready for use.



If you have damages or missing components please contact Customer Service.

800-328-1061

www.smithsystem.com