



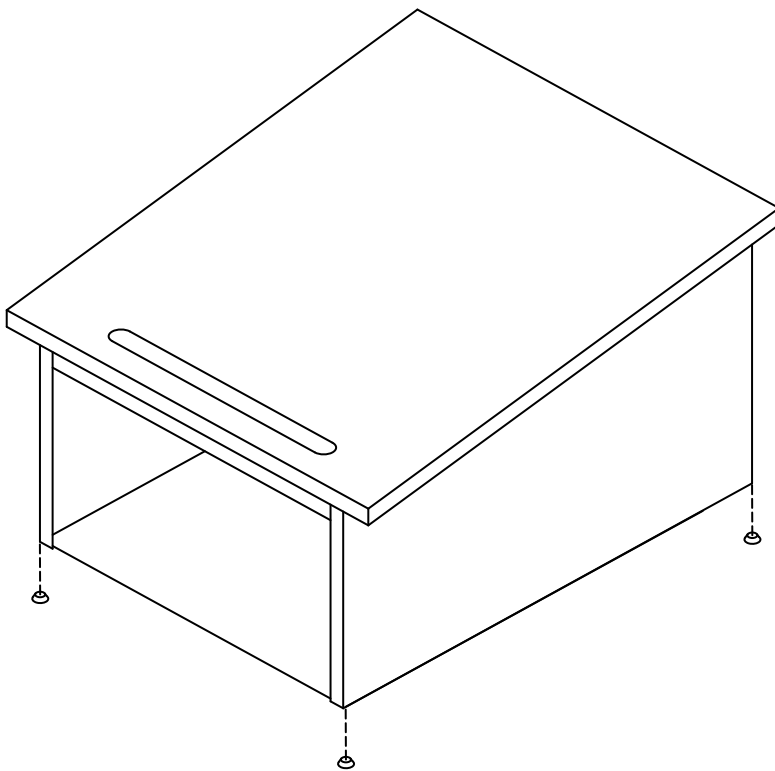
Deluxe Table Top Lectern Quick Installation Guide

MODEL 04619

Instructions

Step 1 Flip the lectern over so that the lectern top is sitting on the floor. Attach the self adhesive bumpers at the corners.

Step 2 Congratulations! The lectern is fully assembled and ready for use.



Required for Installation

- 4 adhesive bumpers
- Lectern cabinet
- Top with pencil groove (pre-attached)
- Retaining angle (pre-attached)

