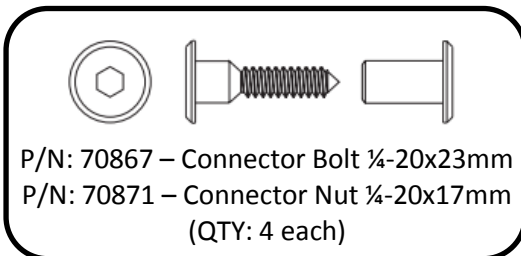
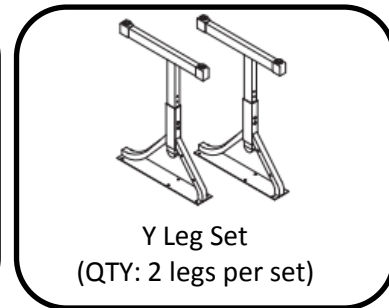
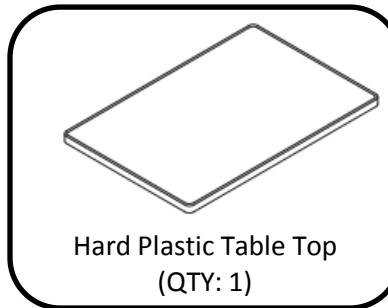
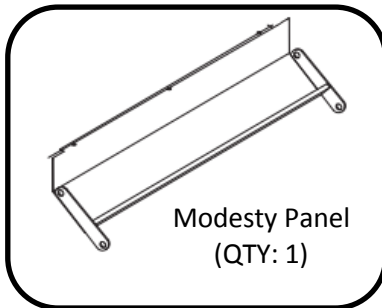
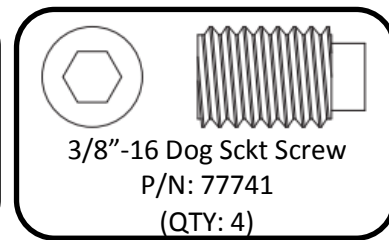
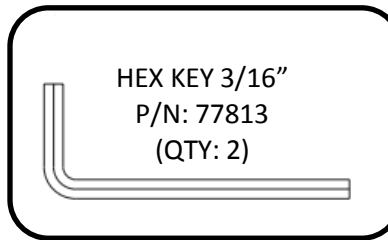
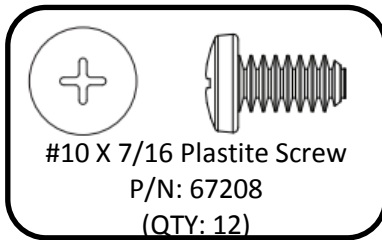




Hard Plastic Flex Desk Installation Guide (Model 01362, 01369)

Hardware and Components



- Replacement Hardware Packs:
1. 67204-R – HDWR Pack, HP top Flex/PSD Desk
 - a. (12) 67208 – Pan Phil THD Roll Plast 10x1/2
 2. 69729-R – Y-Leg Hardware Pack
 - a. (4) 70870 – Connector Bolt ¼-20x23mm
 - b. (4) 70871 – Connector Nut ¼-20x17mm
 - c. (2) 77813 – 3/16" Allen Wrench Short Arm
 - d. (17) 70054 – ¾" Wood Screw



For Assistance in assembling product, missing or damaged parts,
or to place an order, please contact customer service at 800-328-1061
You may also place your order online at
www.smithsystem.com

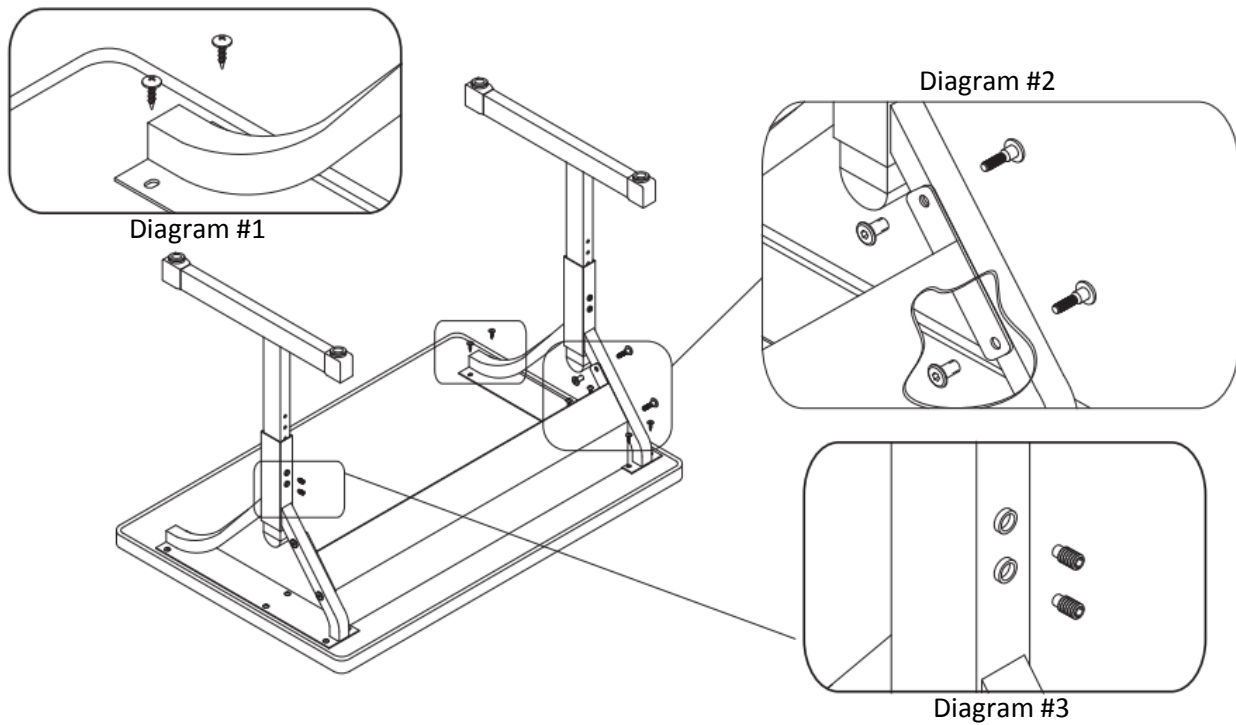
Step 1: Place the table top on a smooth, clean surface with the bottom facing up.

Step 2: Loosely attach the panel to the legs using the supplied connector bolts. LEAVE FINGER TIGHT.
(Diagram 2)

Step 3: Align the frame assembly with the predrilled holes in the top and use the supplied #10 screws to loosely attach the frame to the table top (Diagram #1)

Step 4: Go back to assembly and completely tighten the connector bolts. Once done completely tighten the frame assembly to the table top.

Step 5: Using the supplied Allen wrench, adjust the height of the legs (Diagram 3). Carefully tip the unit over onto its legs. Unit is now ready for use.



For Assistance in assembling product, missing or damaged parts,
or to place an order, please contact customer service at 800-328-1061
You may also place your order online at
www.smithsystem.com