
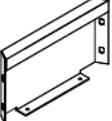


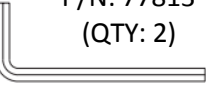

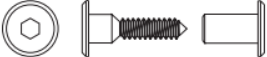




Huddle Desk Assembly Instructions

Models: 01265, 01266, 01267

Hardware and Components

 <p>#10x5/8" Wood Screws P/N: 70080 (QTY: 17)</p>	 <p>Back Panel (QTY: 1)</p>
 <p>3/8"-16 Set Screw P/N: 77741 (QTY: 4)</p>	 <p>Leg Set (QTY: 2 sets)</p>
 <p>3/16" Allen Wrench P/N: 77813 (QTY: 2)</p>	 <p>Table Top (QTY: 1)</p>
 <p>P/N: 70868 – ¼-20x30mm P/N: 70869 – ¼-20x17mm (QTY: 4 of each)</p>	

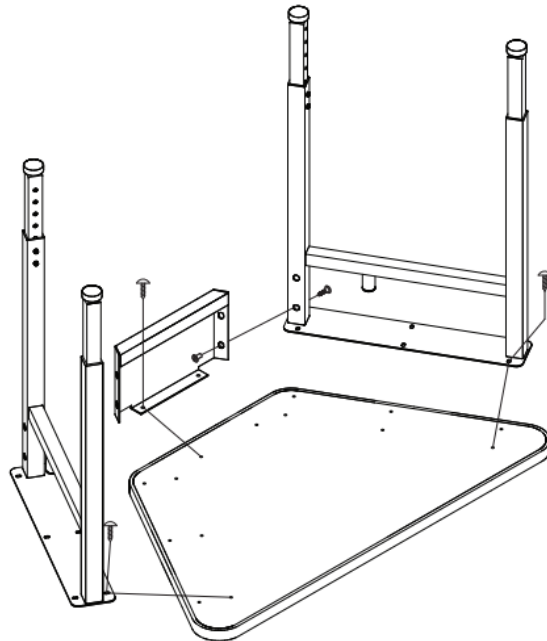
Instructions

Step 1: Flip the table over on a smooth, clean surface with the bottom facing up.

Step 2: Loosely attach the legs and the modesty panel with the connector bolts. LEAVE FINGER TIGHT.

Step 3: Align the frame assembly with the pilot holes and use (14) Wood screws to attach it to the top.

Step 4: Go back and tighten the bolts in the frame assembly.



For Assistance in assembling product, missing or damaged parts,
or to place an order, please contact customer service at 800-328-1061
You may also place your order online at

www.smithsystem.com