

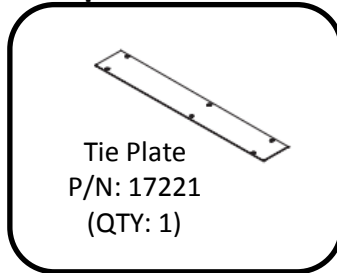
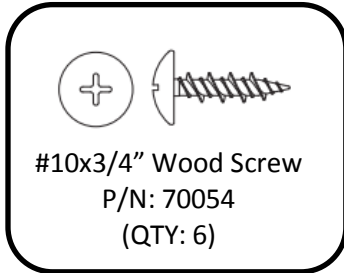


SMITH SYSTEM

Furniture for inspired learning.

Tie Plate Instalation Guide (Model 17220)

Hardware and Components

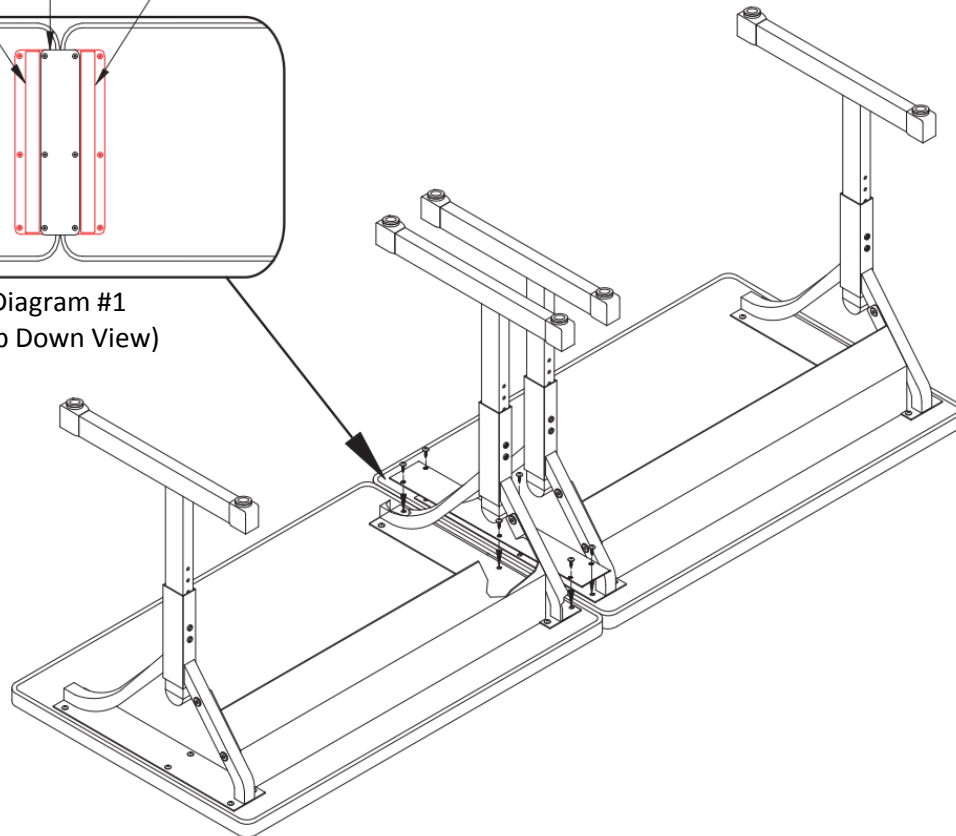
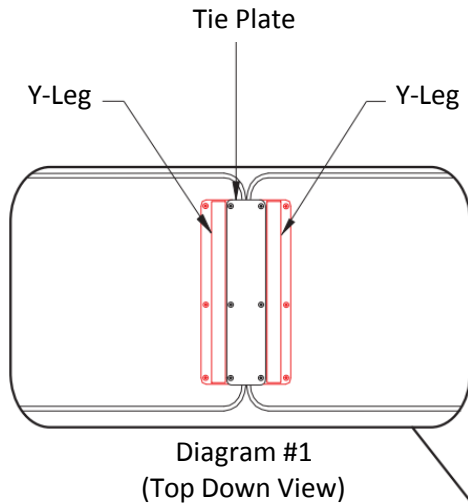


Assembly Instructions

Step 1: Place both assembled flex desks on a smooth, clean surface with the bottom facing up.

Step 2: Unscrew the 3 wood screws from each Y-leg closest to the table edge (diagram 1).

Step 3: Align the tie plate with the Y-leg plate holes and use the 6 wood screws to attach (Diagram 1).



For Assistance in assembling product, missing or damaged parts,
or to place an order, please contact customer service at 800-328-1061
You may also place your order online at
www.smithsystem.com